



Panic Hardware
for timber doors

DORMA PHA 2500



reddot design award
winner 2006



DESIGNPREIS
2007
NOMINEE

The DORMA PHA 2500 panic hardware system.



Innovative, advanced hardware system for emergency exits.


With its PHA 2500 system, DORMA is able to offer a high-quality panic exit device on the basis of an integrated emergency escape lock for single- and double-leaf timber doors. The system is certified according to EN 1125 and carries the **CE** mark and is ideal for narrow stile doors in emergency exits in which safety, security, reliability and aesthetic elegance are a must. This Panic Hardware system constitutes a further building block in the DORMA

product portfolio for the safe control of emergency escape routes. It satisfies in full the demands placed on emergency exit devices used in public facilities such as hospitals, universities and schools, concert halls, shopping malls, hotels and administrative buildings. With this series, moreover, the external fitting can be provided in the form of an OGRO project lever handle to EN 1906 and DIN 18273 from its ZS range.

Approval certification

The panic exit devices in the DORMA PHA 2500 series are tested and certified to EN 1125. All products comply with the requirements of Annex ZA to EN 1125 and thus qualify to carry the **CE** mark of conformity. Additional approval certification of the relevant fire and smoke check doors may be necessary – check local regulations.



Additional information can be retrieved on many of DORMA's products at **www.dorma.com**. The abbreviated designations next to the computer symbol  symbol indicate the search terms to be applied in each case.

Contents

	Page
DORMA PHA 2500 for timber doors	
Features and functions	4
Dimensions (single-leaf door)	6
Dimensions (double-leaf door)	8
Applications and installation (single-leaf door)	10
Applications and installation (double-leaf door)	12
Components (single-leaf door)	11
Components (double-leaf door)	14
Lock functions	16
Application notes	18
Lever handle fittings	19

Practical panic hardware – ideal exit devices for timber doors.

With its series PHA 2500 (touch bar), the project lever handle range from OGRO and corresponding complementary accessories, DORMA is able to offer a high-performance panic hardware system ideal for

both internal and external timber doors. The integrated mortise panic/emergency escape lock enables the door to be engaged by both latch and bolt.

The benefits at a glance

For the trade

- Certified system in one complete pack.
- One actuation touch bar for all door widths.
- Suitable for use in conjunction with stock OGRO ZS project lever handles.
- Further accessories available for individual applications.

For the fabricator/installer

- Full range of expertise from a single source.
- Easy to install.
- Readily adaptable to different door widths and heights.
- Excellent range of accessories.

For the architect/specifier

- High-quality appearance with no visible fixing screws.
- Projection from face according to EN 1125.
- Certified system compliant with Euronorm standard.
- All OGRO ZS project lever handles compliant with EN 1906 and DIN 18273 can be used.

For the user

- Optimum safety – even under pre-load, the door can be opened from anywhere across its full width.
- Single-source supply for a full range of customer services.

Data and features		PHA Serie 2500	
		single-leaf door	double-leaf door
Standard doors in emergency escape routes		●	●
Fire and smoke check doors		●	●
Door width ¹⁾	≤ 1300 mm	●	
	≤ 2600 mm		●
Door height ¹⁾	≤ 2500 mm	●	●
Max. door leaf weight in kg ¹⁾		200	200
Handling	DIN-R	●	●
	DIN-L	●	●
Projection from face ≤ 100 mm		●	●
Timber doors		●	●
Backset 65/80		●	●
Europrofile cylinder centres 72 mm		●	●
Europrofile cylinder to DIN 18252		●	●
Suitability for use of an electronic EP cylinder		○	○
Lock functions: Transit/Transmission/Change-over		●/●/●	●/●/●
Controlled Latch Retainer		○	○
Forend width 20/24 mm		●	●
Locking rod with switching lock (inactive leaf)		–	●
Powder-coated silver		●	●
Mock stainless steel finish		●	●
OGRO external fitting, ZS range		○	○
Tested and certified to EN 1125		●	●
CE mark for construction projects		●	●
ISO 9000		●	●

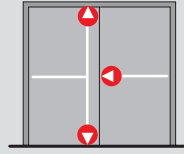
● = yes – = no ○ = option

¹⁾Data correspond to the maximum application scope of EN 1125.

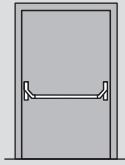
PHA 2500 for timber doors



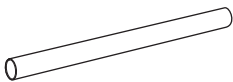
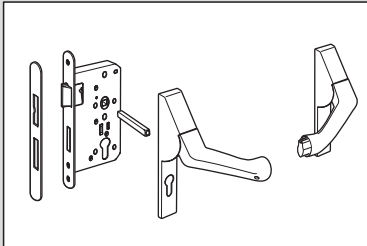
PHA 2500 for timber doors



Panic Hardware system PHA 2500 for timber doors



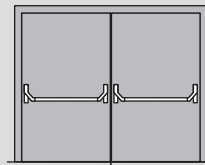
1-point locking



OGRO ZS-Technik



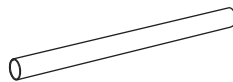
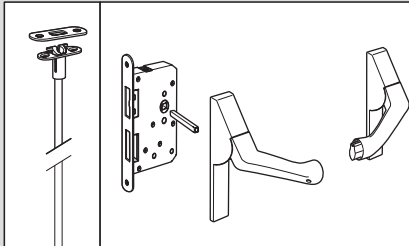
Inactive leaf



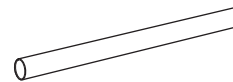
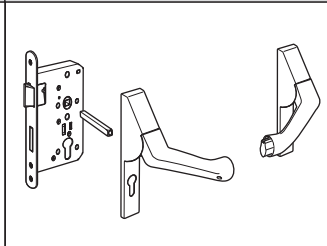
Active leaf



2-point locking

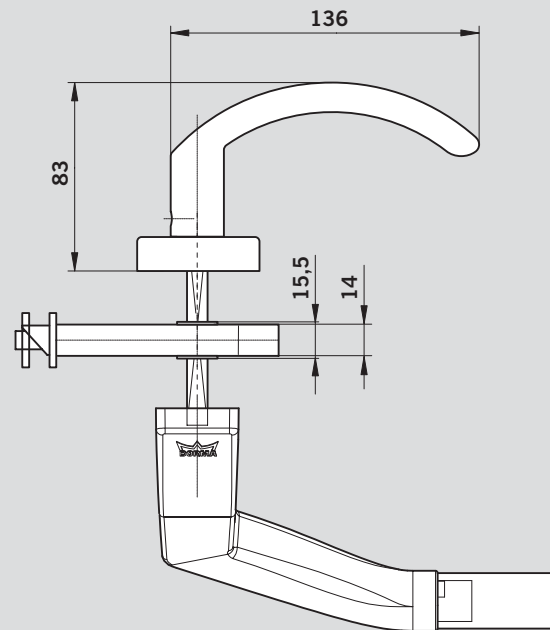
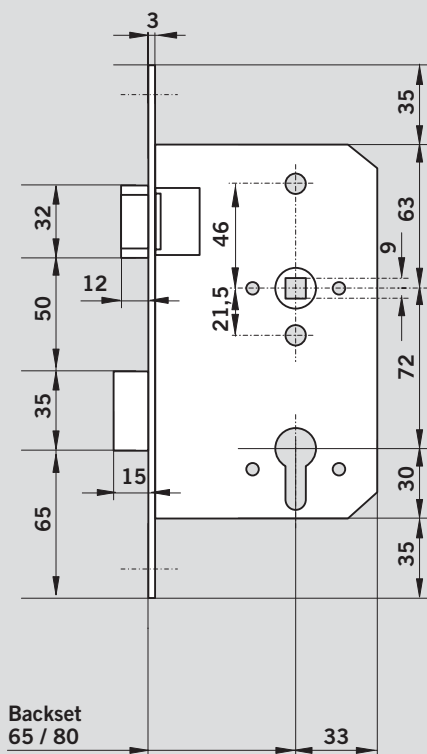
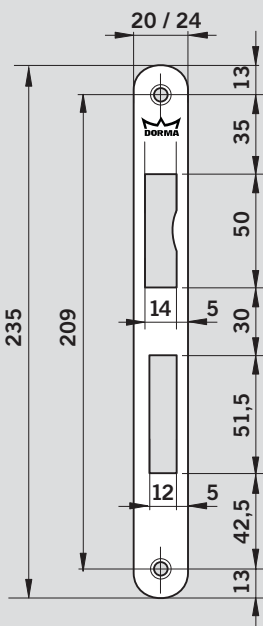
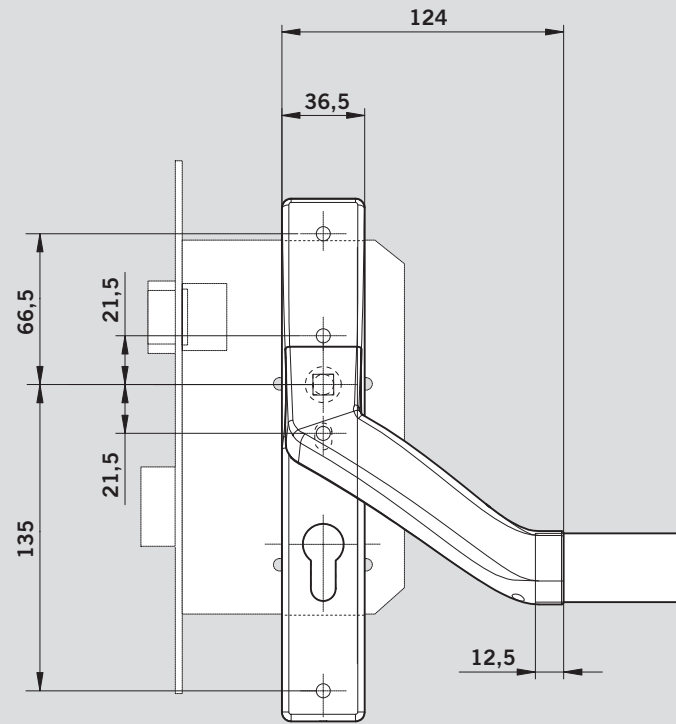
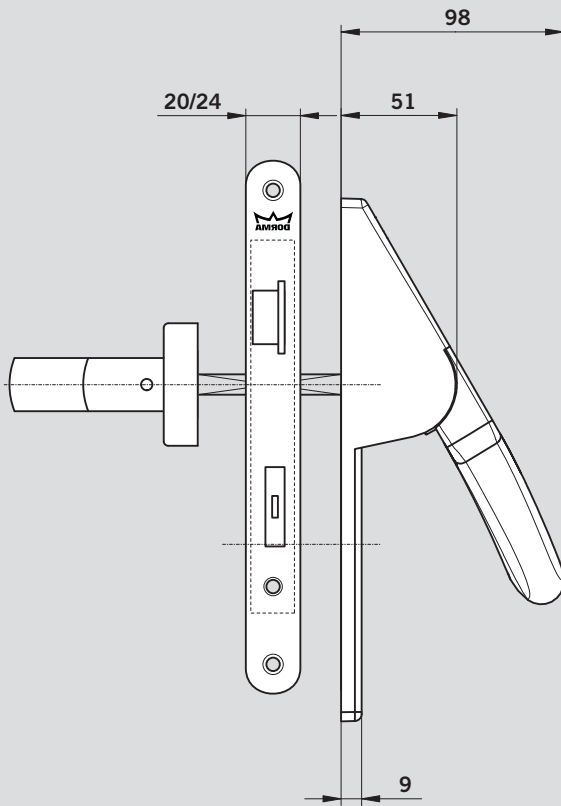


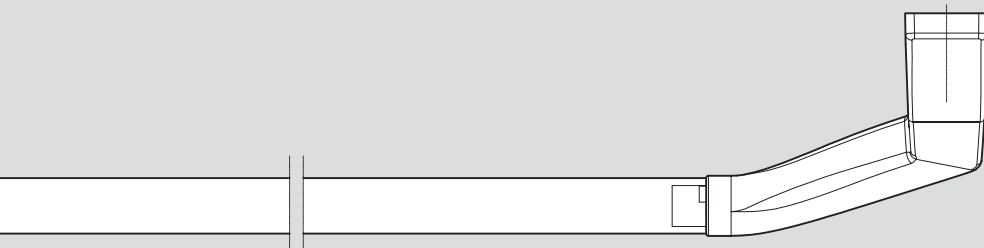
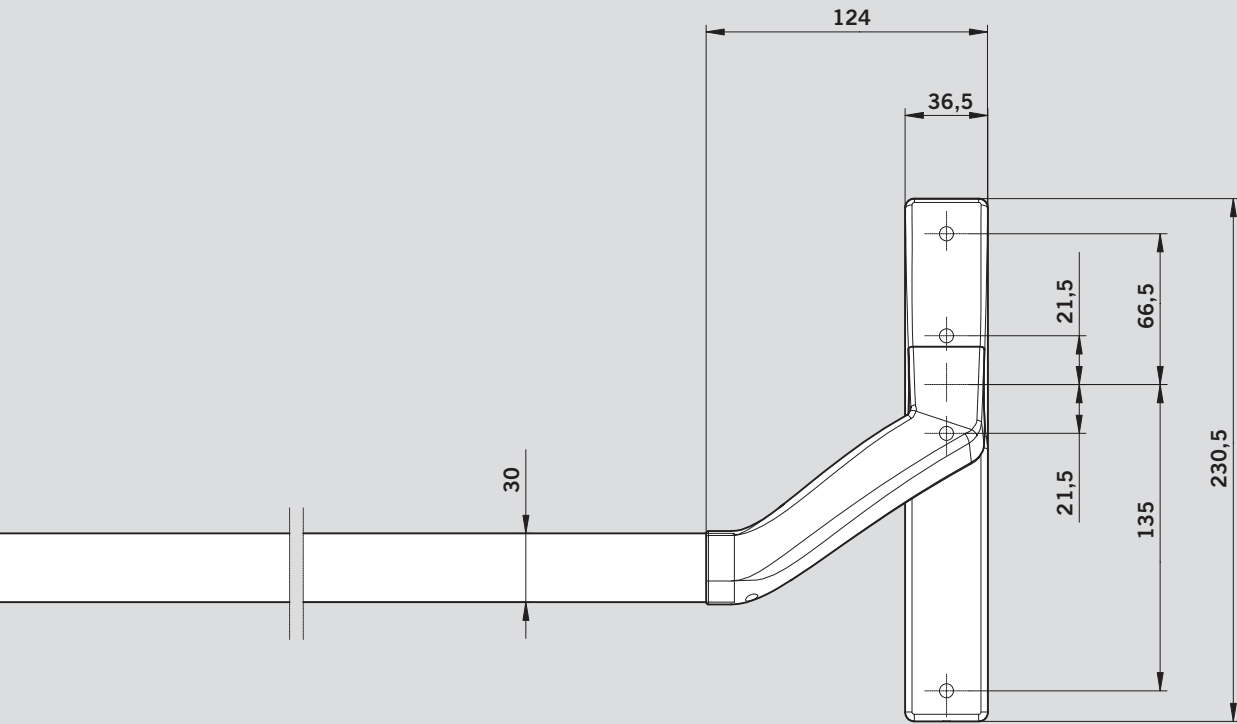
1-point locking

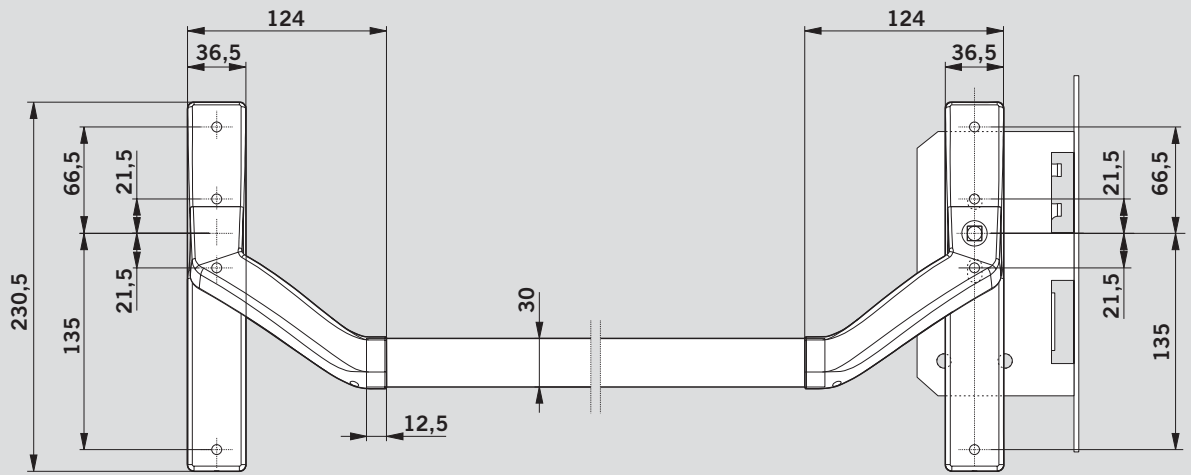


OGRO ZS-Technik

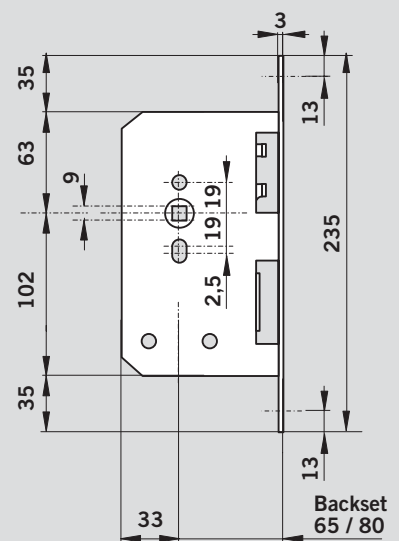
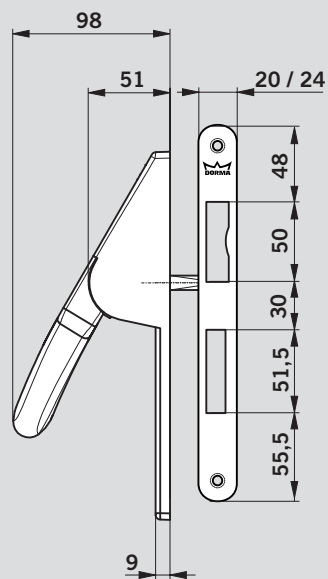
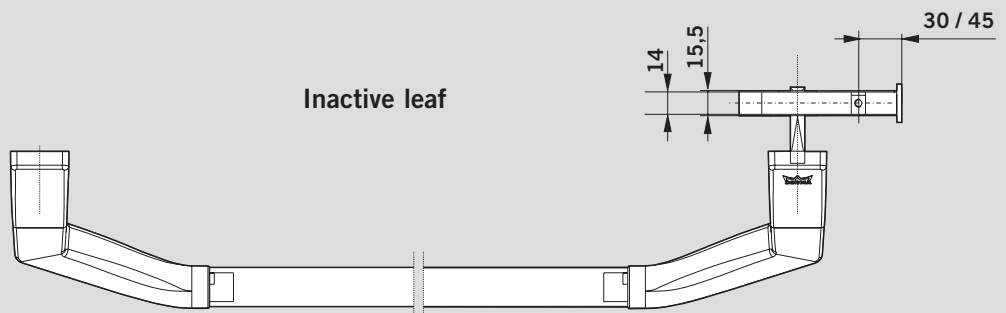


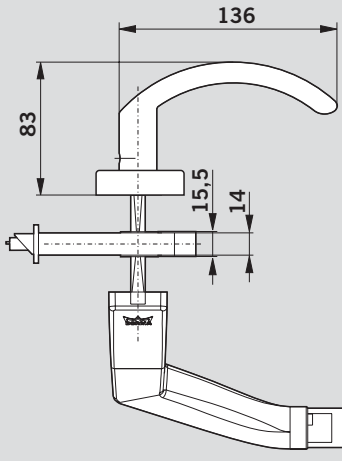
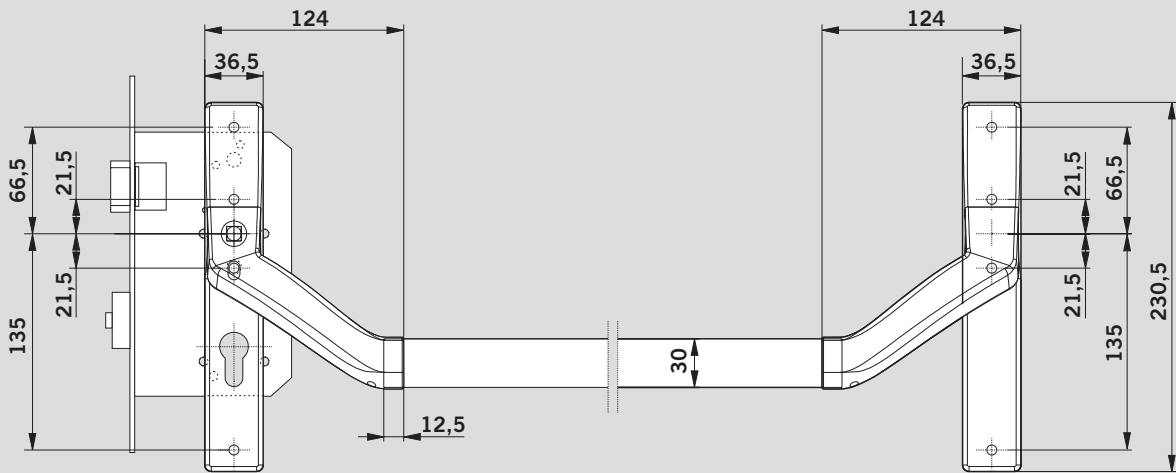




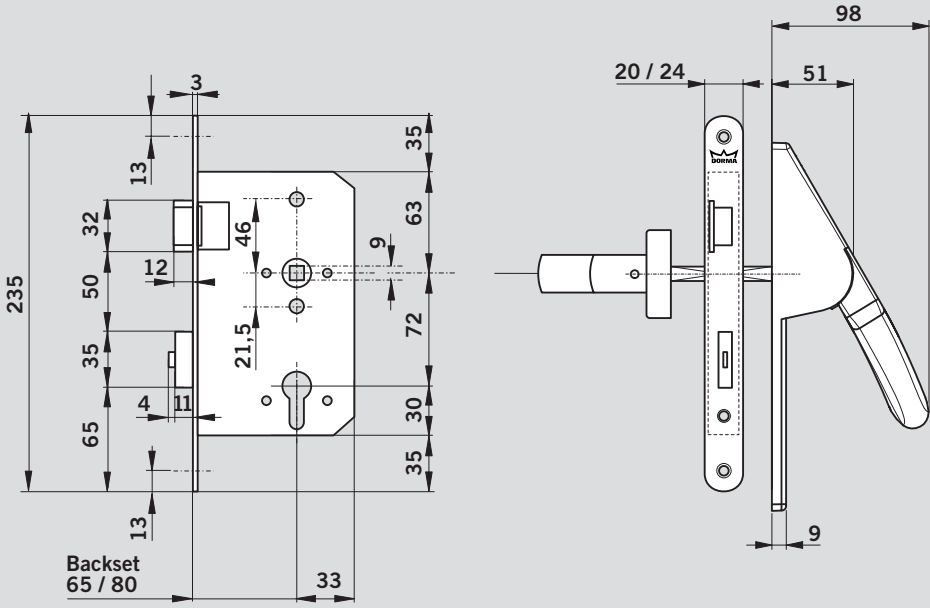


Inactive leaf



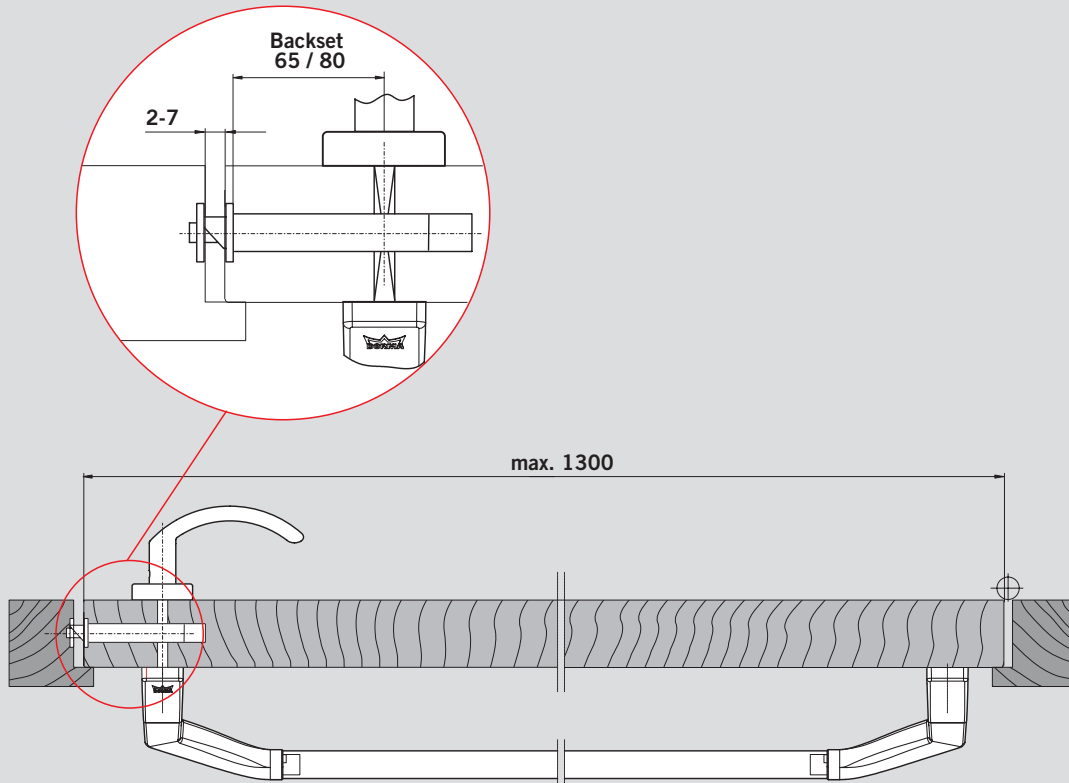


Active leaf



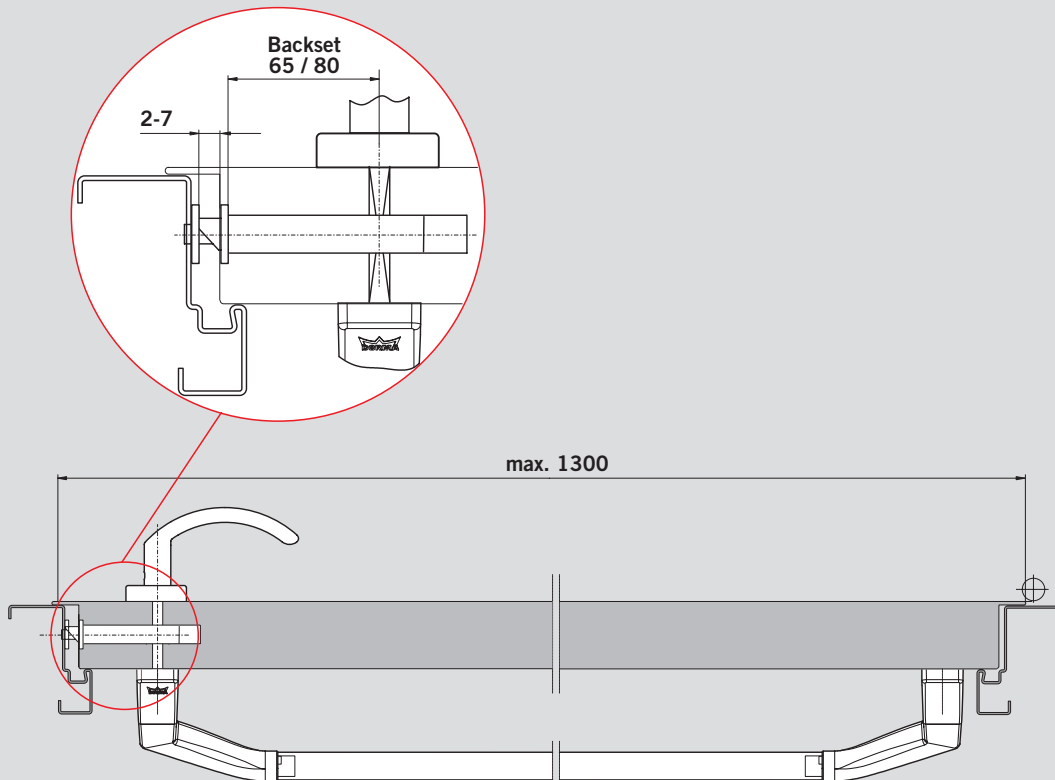
Backset
65 / 80

1-point locking, wooden door



Note advisory on page 18

1-point locking, sheet steel door



Note advisory on page 18

Specification text

PHA 2500 timber doors, single-leaf


Panic exit device for single-leaf timber doors, compliant with EN 1125, door widths up to 1300 mm; projection from face per category 2 ≤ 100 mm, nip-free design, no visible fixing screws. With timber lock, backset of 65/80 mm and

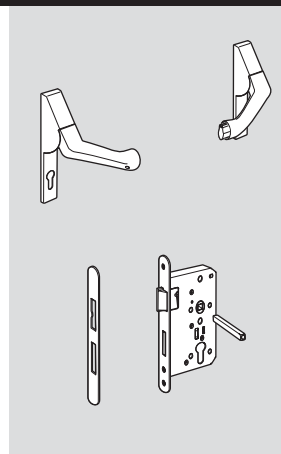
- Mode of operation B / Change-over function
- Mode of operation D / Transit function
- Mode of operation E / Transmission function

Prepared for installation of an electronic cylinder (Europrofile cylinder).

All products of the PHA 2500 timber doors series carry the **CE** mark.

- Silver
- Mock stainless steel

Order No. 35014 .. 



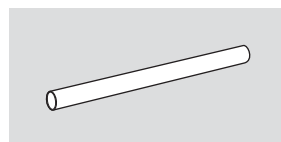
..2621xx01
..2621xx04  PHA 2500

PHA 2105 Connecting rod

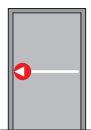
for PHA 2500, door widths up to 1300 mm

- Silver
- Mock stainless steel

..21050001
..21050004



xx = Variant lock function

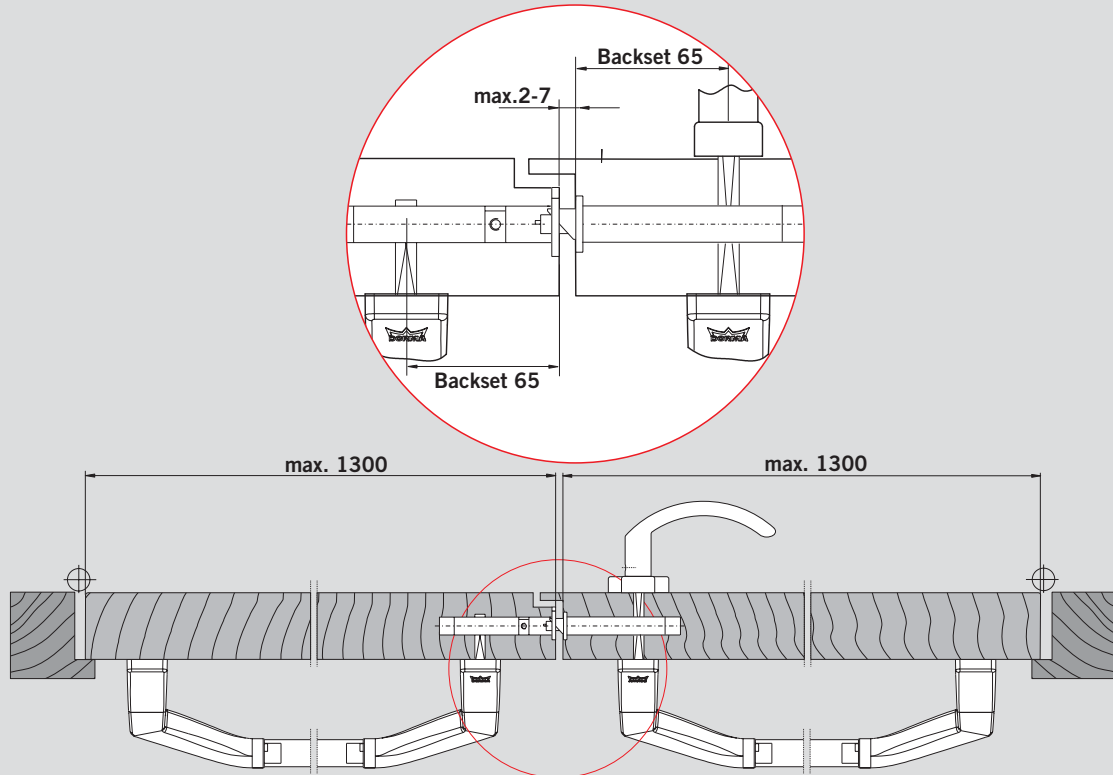
Product	Handing	Backset	Lock function	Forend width 24 Order No. 35014 ..	Forend width 20 Order No. 35014 ..
PHA 2500 for timber doors single-leaf 1-point-locking 	L	65	D Transit	.. 262104xx	.. 262113xx
			E Transmission	.. 262105xx	.. 262114xx
			B Change-over	.. 262106xx	.. 262115xx
		80	D Transit	.. 262107xx	.. 262116xx
			E Transmission	.. 262108xx	.. 262117xx
			B Change-over	.. 262109xx	.. 262118xx
	R	65	D Transit	.. 262122xx	.. 262131xx
			E Transmission	.. 262123xx	.. 262132xx
			B Change-over	.. 262124xx	.. 262133xx
		80	D Transit	.. 262125xx	.. 262134xx
			E Transmission	.. 262126xx	.. 262135xx
			B Change-over	.. 262127xx	.. 262136xx

Locks with controlled latch retainer in conjunction with lock function E (Transmission) on request.
For description of lock functions see pages 16, 17.

xx = Colour
01 = Silver
04 = Mock stainless steel

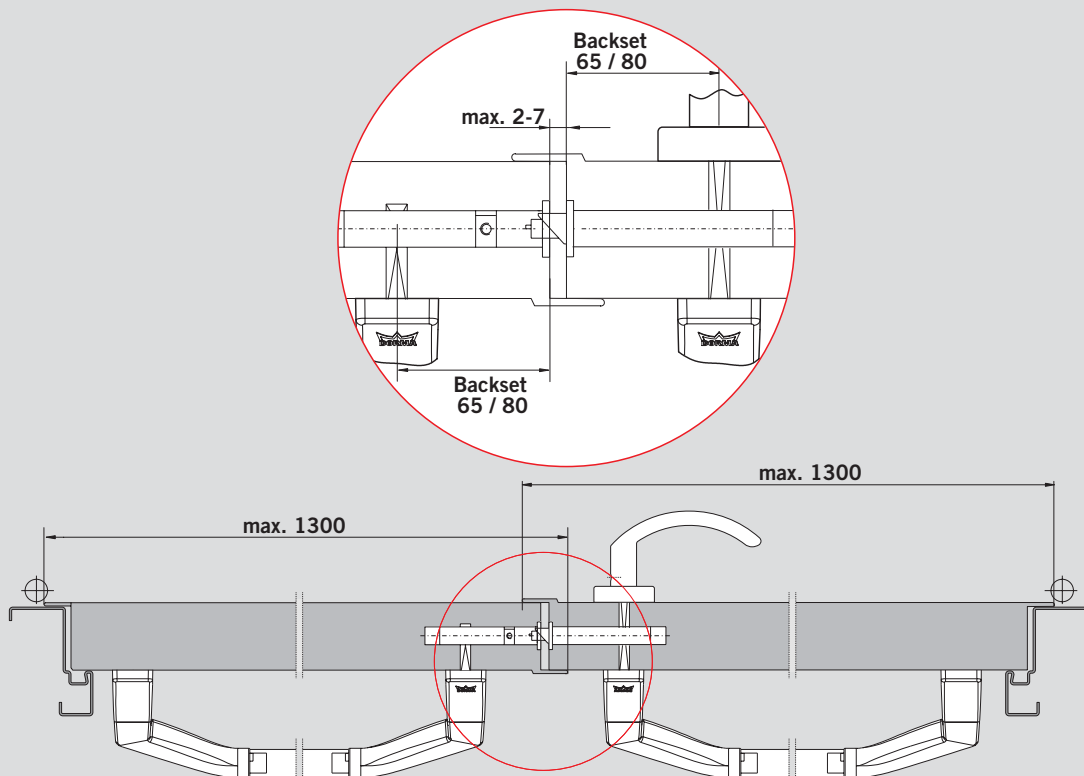
Lever handle spindles: Note advisory on page 18.

1-point locking, wooden door



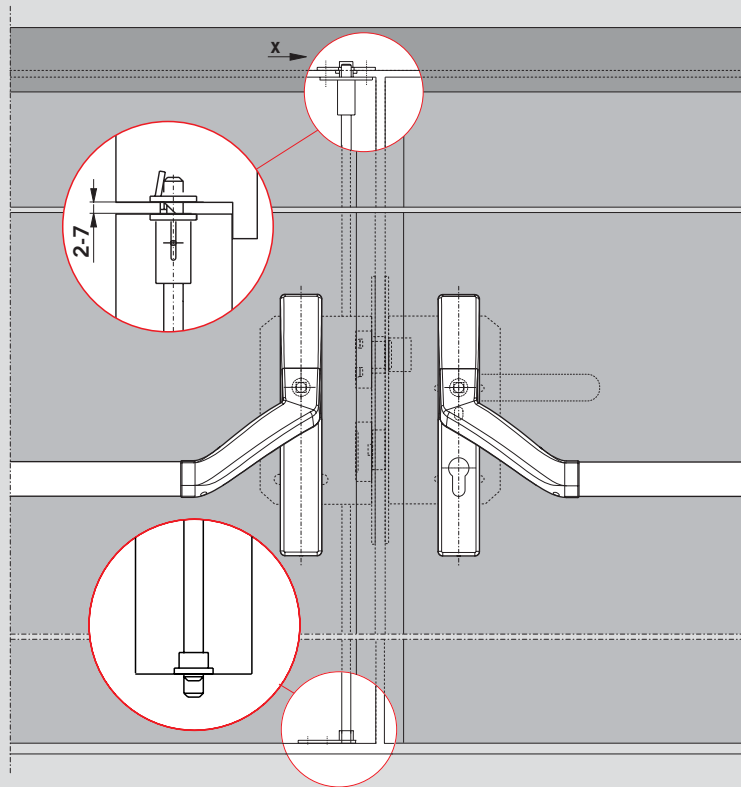
Note advisory on page 18

1-point locking, sheet steel door



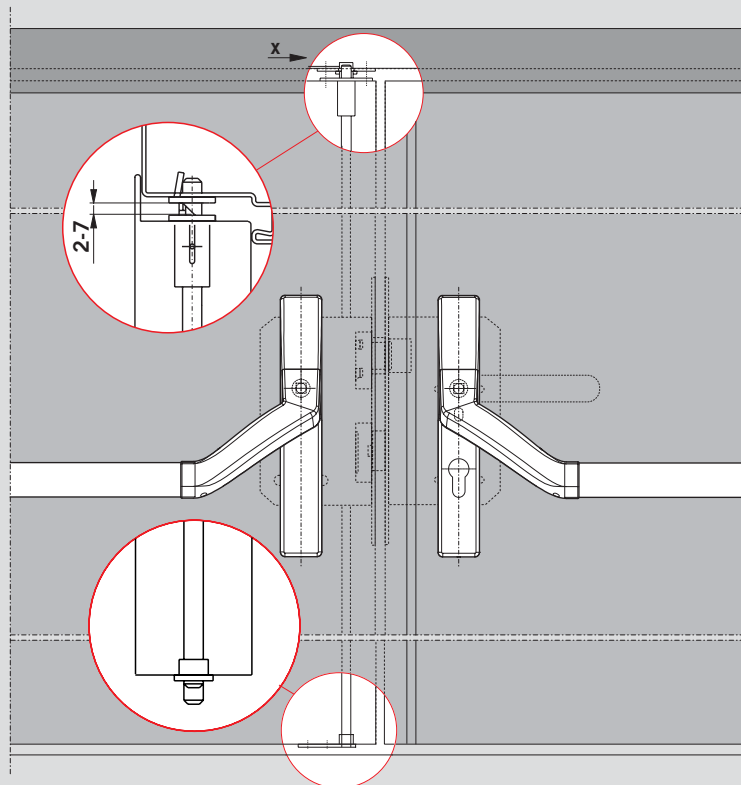
Note advisory on page 18

2-point locking, wooden door



For panic exit devices according to EN 1125 a floor keep is necessary (see page 15)

2-point locking, sheet steel door



For panic exit devices according to EN 1125 a floor keep is necessary (see page 15)

Specification text

PHA 2500, double-leaf

Panic exit device for double-leaf timber doors, compliant with EN 1125, door widths up to 2600 mm, door height up to 2500 mm; projection from face per category 2 ≤ 100 mm, nip-free design, no visible fixing screws. With timber lock at the active-leaf, backset of 65/80 mm and

- Mode of operation B / Change-over function
- Mode of operation D / Transit function
- Mode of operation E / Transmission function

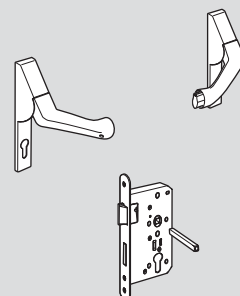
Prepared for installation of an electronic cylinder (Europrofile cylinder). Lock case at the inactive leaf, backset of 65/80 mm, incl. switching lock and rod guide.

All products of the PHA 2500 series carry the **CE** mark.

Order No. 35014 ..



PHA 2560



PHA 2560, active-leaf

- Silver
- Mock stainless steel

..2622xx01

..2622xx04 PHA 2500

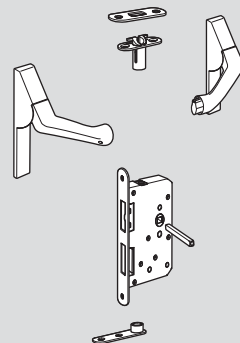
PHA 2570 TRS, inactive-leaf

- Silver
- Mock stainless steel

..2624xx01

..2624xx04 PHA 2500

PHA 2570 TRS



xx = Variant lock function

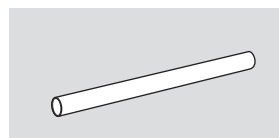
PHA 2105 Connecting rod

for PHA 2560 and PHA 2570, for door widths up to 1300 mm

- Silver
- Mock stainless steel

..21050001

..21050004

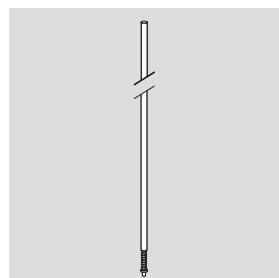


PHA 2160 TRS locking rod at the top

for PHA 2570 TRS (active-leaf)

Tube Ø 10 mm, for door heights up to 2500 mm

..21600000

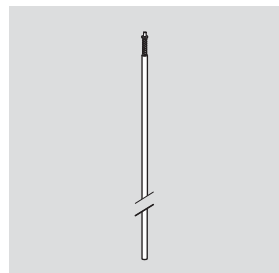



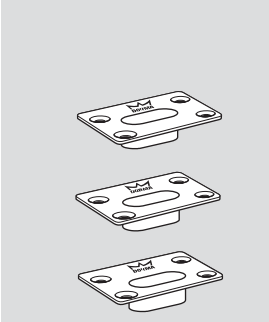
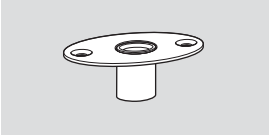
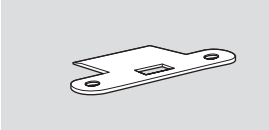
PHA 2161 TRB locking rod at the bottom


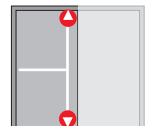
for PHA 2570 TRS (inactive-leaf)

Solid bar Ø 10 mm, lever handle heights 1050 mm

..21610000



Specification text	Order No. 35014 .. 	
<p>PHA 2122 Floor keep for locking of the PHA 2161 TRB at the inactive leaf. Required for panic exit devices to EN 1125. Model:</p> <p>PHA 2122-0 (0 mm) ..21220000</p> <p>PHA 2122-2 (-2 mm) ..21222000</p> <p>PHA 2122-4 (-4 mm) ..21224000</p>		
<p>PHA 2121 Adjustable floor keep for locking of the PHA 2161 TRB at the inactive leaf. Required for panic exit devices to EN 1125.</p> <p>..21210000</p>		
<p>PHA 7380 Strike plate (optional) for PHA 2160 TRS locking rod at the top</p> <p>..73800000</p>		

Product	Handing	Backset	Lock function	Forend width 24 Order No. 35014 ..	Forend width 20 Order No. 35014 ..
<p>PHA 2560 double-leaf, active-leaf 1-point locking</p> 	L	65	D Transit	.. 262204xx	.. 262213xx
			E Transmission	.. 262205xx	.. 262214xx
			B Change-over	.. 262206xx	.. 262215xx
		80	D Transit	.. 262207xx	.. 262216xx
			E Transmission	.. 262208xx	.. 262217xx
			B Change-over	.. 262209xx	.. 262218xx
	R	65	D Transit	.. 262222xx	.. 262231xx
			E Transmission	.. 262223xx	.. 262232xx
			B Change-over	.. 262224xx	.. 262233xx
80		D Transit	.. 262225xx	.. 262234xx	
		E Transmission	.. 262226xx	.. 262235xx	
		B Change-over	.. 262227xx	.. 262236xx	
<p>PHA 2570 TRS double-leaf, active-leaf 2-point locking</p> 	L	65	–	.. 262401xx	.. 262403xx
		80	–	.. 262402xx	.. 262404xx
	R	65	–	.. 262405xx	.. 262407xx
		80	–	.. 262406xx	.. 262408xx

Locks with controlled latch retainer in conjunction with lock function E (Transmission) on request.
For description of lock functions see pages 16, 17.

xx = Colour
01 = Silver
04 = Mock stainless steel

Lever handle spindles: Note advisory on page 18.

Lock functions				
	Basic setting	Inner face	Outer face	Return to basic setting following passage from inside outside
F Transmission function	Locked			
	Not locked			
 Controlled Latch Retainer	Not locked latch hold inside the lock case			
D Transit function	Locked			
	Not locked			
B Change-over function	Locked			
	Not locked Lever handle not engaged			

Transmission function E

For doors in which unauthorised opening from the outside must be reliably prevented. Opening of the door from the inside (danger side) is always possible.

In the event of a panic situation, the latch and the engaged bolt are retracted simultaneously by actuating the exit device from the inside. The bolt remains withdrawn and can be locked again using the key.

On the outside is a fixed dead knob. The door can be unlocked and the latch retracted using the key. Locking is always performed with the key.

Controlled Latch Retainer (Option)

For doors in which passage from the outside is always necessary. The latch is retracted with the key.

In this position the latch retainer can be pushed up. The latch is now held inside the lock case. The retracted latch is released by projecting the dead bolt.

Not permitted for fire- and smoke check doors.

Transit function D

For doors in which passage from the outside may occasionally be necessary. Opening of the door from the inside (danger side) is always possible. Following panic activation, access from the outside is also automatically enabled.

In the event of a panic situation, the latch and the engaged bolt are retracted simultaneously by actuating the exit device from the inside. After panic unlocking, the bolt remains withdrawn and can be locked again with the key.

A lever handle is fitted to the outside face. The door can be unlocked and the latch retracted using the lever handle.

Change-over function B

For doors in which passage from the outside may occasionally be necessary. The lever handle on the outside face may be engaged and disengaged. Opening of the door from the inside (danger side) is always possible.

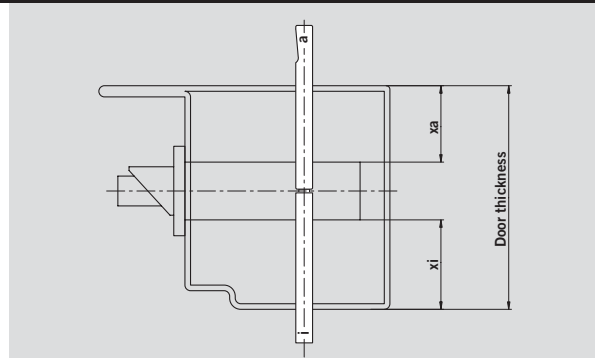
In the event of a panic situation, the latch and the engaged bolt are retracted simultaneously by actuating the exit device from the inside. After panic unlocking, the bolt remains withdrawn and can be locked again with the key.

A lever handle is fitted to the outside face. The key can be used to retract the lock and engage the lever handle which can then be used to retract the latch. The lever handle remains engaged until the key is used to re-lock the door.

Lever handle spindles

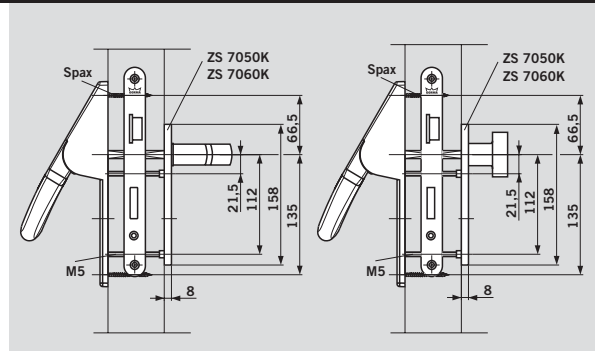
The lever handle spindles included in the scope of supply of the PHA 2500 system are designed for door thicknesses of 40 – 70 mm. In the case of locks with functions D and B (split follower), a central lock fit is necessary for these lever handle spindles.

In the case of door leaf thicknesses outside the given ranges and/or an asymmetric lock fit, the corresponding lever handle spindle will need to be separately ordered. Please ensure that all the relevant drawing dimensions are indicated.



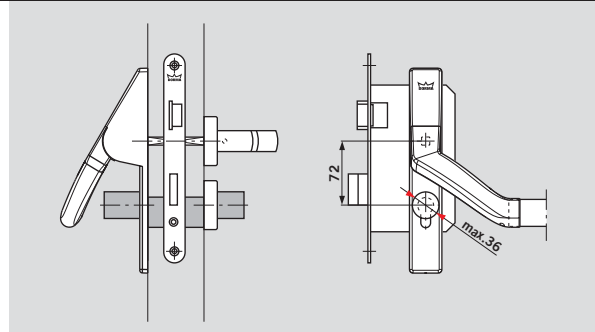
PHA 2500 with OGRO short backplates

The back-to-back bolting through the door further enhances stability of the furniture set comprising the PHA 2500 panic exit device and OGRO ZS short backplate with dead knob or lever handle.



PHA 2500 with an electrical knob cylinder

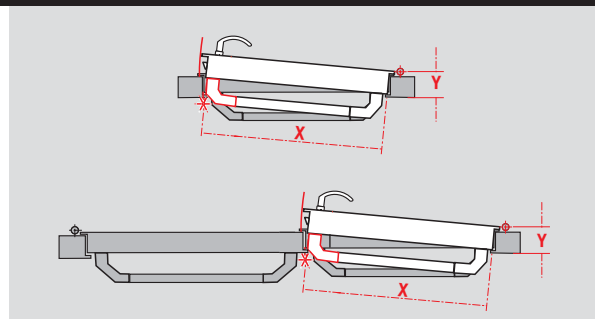
Use of an electrical knob cylinder according to certificate of conformity 0432-BPR-0066 DORMA PHA 2500.



Door situation


It may be the case that the panic fitting cannot be installed on extreme door situations according to standard measurements (door width X smaller than

1000 mm in connection with the distance of the hinge Y bigger than 90 mm). On request DORMA will gladly give you installation suggestions.




Lever handle fittings for timber doors




 ZS 8100 FS



 ZS 8101 FS




 ZS 8140 FS




ZS 7050 K




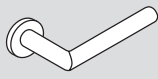
 ZS 8141 FS




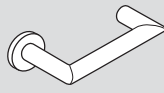
 ZS 8526 FS




 ZS 8830 FS




 ZS 8906 FS



 ZS 8907 FS



 ZS 8998 FS



ZS 7060 K

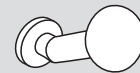
Knobs for timber doors



ZS 3020 ANFS



ZS 3548 FS



ZS 3548 SFS

For further lever handle fittings please refer to OGRO brochure "Lever handle"

Lever handles with round roses for use on timber doors according to EN 1906 and DIN 18273 (for fire and smoke check doors).

For the combination with PHA 2500 system the 9 mm lever handle spindle has to be used.





www.dorma.com

Door Control Division worldwide

Central Europe

DORMA GmbH + Co. KG
Breckerfelder Str. 42-48
D-58256 Ennepetal
Tel. +49 23 33/7 93-0
Fax +49 23 33/7 93-4 95

Australia

DORMA Door Controls Pty. Ltd.
52 Abbott Road
Hallam/Victoria 3803
Australia
Tel. +61 3/97 96 35 55
Fax +61 3/97 96 39 55

China

DORMA Door Controls (Suzhou)
Co. Ltd.
No. 9, Hong Feng Road
Suzhou Singapore Industrial Park
Suzhou, 215021
P. R. of China
Tel. +86 512/67612481
Fax +86 512/67614582

DORMA Door Controls Pte. Ltd.
Room 701, Technology Plaza
651 King's Road
North Point
Hong Kong
Tel. +825/250 34632
Fax +825/288 75370

Emerging Markets

DORMA GmbH + Co. KG
Breckerfelder Str. 42-48
D-58256 Ennepetal
Tel. +49 23 33/7 93-0
Fax +49 23 33/7 93-4 95

DORMA Door Controls (Pty.) Ltd.
Kings Court, 4A Mineral Crescent
ZA-2000 Crown/Gauteng
South Africa
Tel. +27 11/8 30 02 80
Fax +27 11/8 30 02 91

Far East

DORMA Far East Pte. Ltd.
No. 31 Gul Lane
Singapore 629425
Tel. +65 62 68/7633
Fax +65 62 65/7914

France

DORMA France S.A.S.
Europarc
42, rue Eugène Dupuis
F-94046 Créteil
Tel. +33 1/41 94 24 00
Fax +33 1/41 94 24 01

Gulf

DORMA Gulf Door Controls FZE
Jebel Ali Free Zone,
Roundabout 8,
Unit VC 02
Dubai, United Arab Emirates
Tel. +971 48/83 90 14
Fax +971 48/83 90 15

North America

DORMA Architectural Hardware
DORMA Drive, Drawer AC
Reamstown, PA 17567
Tel. +1-800-523-8483
Fax +1-800-274-9724

Scanbalt

DORMA Danmark A/S
Sindalvej 6 - 8
DK-2610 Rødovre
Tel. +45 44/54 30 00
Fax +45 44/54 30 01

South America

DORMA Sistemas de Controles
para Portas Ltda.
Av. Piracema, 1400
Centro Empresarial Tambore
CEP 06400 Barueri/
São Paulo, Brasil
Tel. +55 11/41 91 32 44
Fax +55 11/41 91 21 93

South-East Europe

DORMA AUSTRIA GmbH
Pebering Strass 22
A-5301 Eugendorf
Tel. +43 62 25/2 84 88
Fax +43 62 25/2 84 91

South Europe

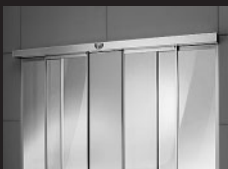
DORMA Italiana S.r.l.
Via. A. Canova 44/46
I-20035 Lissone (MI)
Tel. +39 039/24 40 31
Fax +39 039/24 40 33 10
DORMA Ibérica, S.A.
Camino San Martin de la Vega, 4
E-28500 Arganda del Rey
(Madrid)
Tel. +34 91/8 75 78 50
Fax +34 91/8 75 78 81

UK/Ireland

DORMA UK Ltd.
Door Controls Division
Wilbury Way
GB-Hitchin
Hertfordshire SG4 0AB
Tel. +44 14 62/47 76 00
Fax +44 14 62/47 76 01



Door Control



Automatic



Glass Fittings
and Accessories



Security/Time
and Access (STA)



Movable Walls

