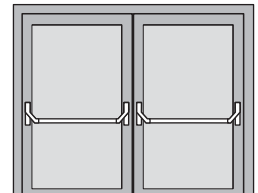
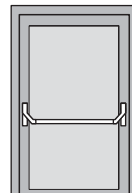




Panic Hardware

# DORMA PHA 2500



The DORMA PHA 2500 panic hardware system.



## Innovative, advanced hardware system for emergency exits.


With its PHA 2500 system, DORMA is able to offer a high-quality panic exit device on the basis of an integrated emergency escape lock for single- and double-leaf doors. The system is certified according to EN 1125 and carries the **CE** mark and is ideal for narrow stile doors in emergency exits in which safety, security, reliability and aesthetic elegance are a must. This Panic Hardware system constitutes a further building block in the DORMA

product portfolio for the safe control of emergency escape routes. It satisfies in full the demands placed on emergency exit devices used in public facilities such as hospitals, universities and schools, concert halls, shopping malls, hotels and administrative buildings. With this series, moreover, the external fitting can be provided in the form of an OGRO project lever handle to EN 1906 and DIN 18273 from its ZS range.

### Approval certification

The panic exit devices in the DORMA PHA 2500 series are tested and certified to EN 1125. All products comply with the requirements of Annex ZA to EN 1125 and thus qualify to carry the **CE** mark of conformity. Additional approval certification of the relevant fire and smoke check doors may be necessary – check local regulations.



Additional information can be retrieved on many of DORMA's products at **www.dorma.com**. The abbreviated designations next to the computer symbol  symbol indicate the search terms to be applied in each case.

### Contents

	Page
<b>DORMA PHA 2500</b>	
Features and functions	4
<b>DORMA PHA 2500</b>	
Dimensions (single-leaf door)	6
<b>DORMA PHA 2500</b>	
Dimensions (double-leaf door)	8
<b>DORMA PHA 2500</b>	
Applications and installation (single-leaf door)	10
<b>DORMA PHA 2500</b>	
Applications and installation (double-leaf door)	12
<b>DORMA PHA 2500</b>	
Components (single-leaf door)	14
<b>DORMA PHA 2500</b>	
Components (double-leaf door)	16
<b>DORMA PHA 2500</b>	
Application notes	19
<b>DORMA PHA 2500</b>	
Lock functions	20
<b>OGRO ZS-Technik</b>	
Lever handle fittings	22
<b>DORMA 447, 442, 117 RS</b>	
Electric Strikes	23

## Practical panic hardware – ideal exit devices for narrow-stile doors.

With its series PHA 2500 (touch bar), the project lever handle range from OGRO and corresponding complementary accessories, DORMA is able to offer a high-performance panic hardware system ideal for

both internal and external narrow-stile doors. The integrated mortise panic/emergency escape lock enables the door to be engaged by both latch and bolt.

### The benefits at a glance

#### For the trade

- Certified system in one complete pack.
- One actuation touch bar for all door widths.
- Suitable for use in conjunction with stock OGRO ZS project lever handles.
- Further accessories available for individual applications.

#### For the architect/specifier

- High-quality appearance with no visible fixing screws.
- Projection from face according to EN 1125.
- Certified system compliant with Euronorm standard.
- All OGRO ZS project lever handles compliant with

EN 1906 and DIN 18273 can be used.

#### For the fabricator/installer

- Full range of expertise from a single source.
- Easy to install.
- Readily adaptable to different door widths and heights.
- Excellent range of accessories.

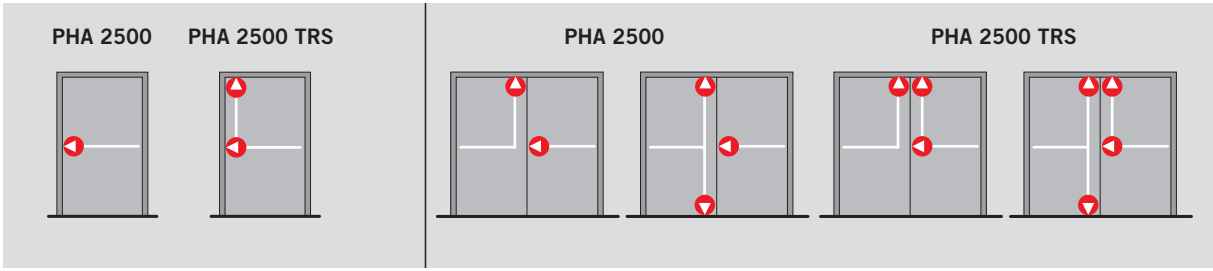
#### For the user

- Optimum safety – even under pre-load, the door can be opened from anywhere across its full width.
- Single-source supply for a full range of customer services.

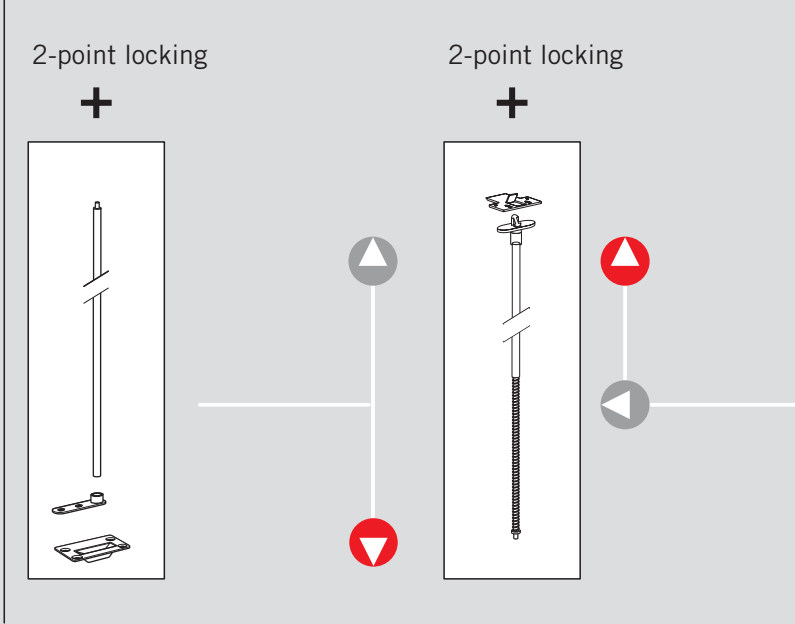
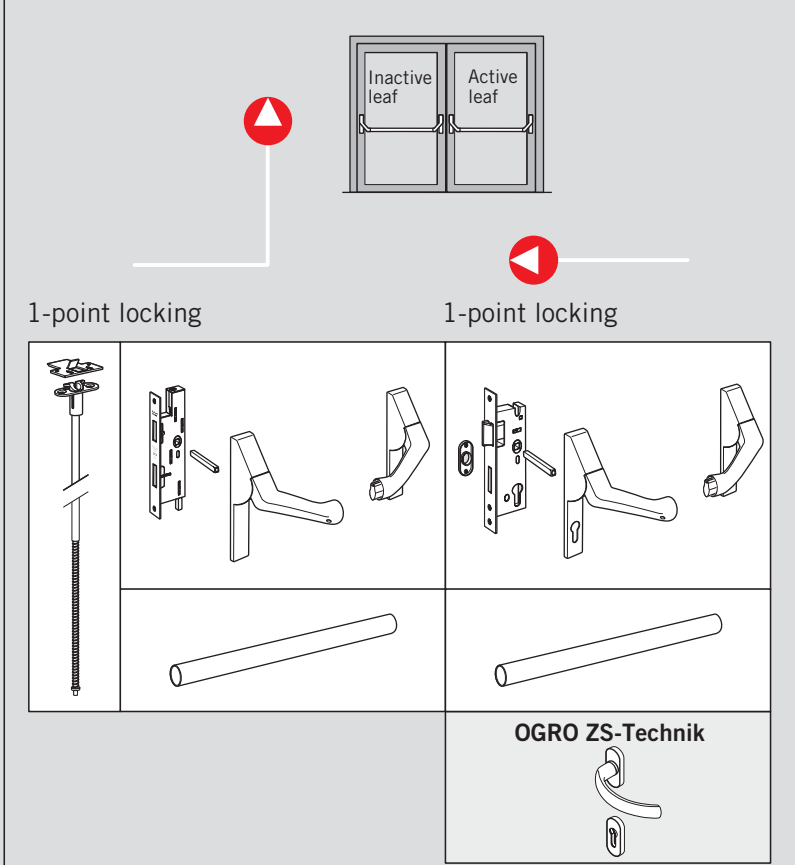
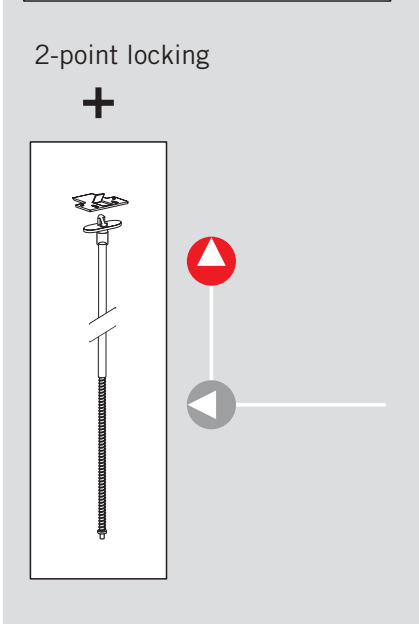
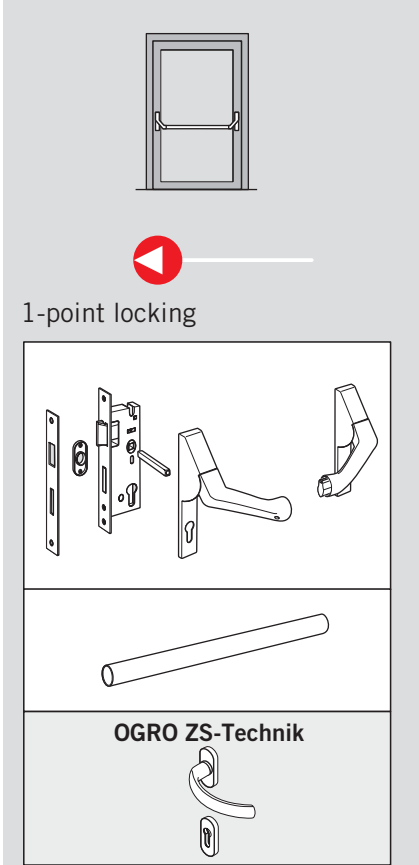
Data and features	PHA Serie 2500	
	single-leaf door	double-leaf door
Standard doors in emergency escape routes	●	●
Fire and smoke check doors	●	●
Door width <sup>1)</sup>	≤ 1300 mm	●
	≤ 2600 mm	●
Door height <sup>1)</sup>	≤ 2500 mm	●
Max. door leaf weight in kg <sup>1)</sup>	200	200
Handling	DIN-R	●
	DIN-L	●
Projection from face ≤ 100 mm	●	●
Narrow stile locks	●	●
Timber door locks	in preparation	in preparation
Backset 35/40/45	●	●
Europrofile cylinder centres 92 mm	●	●
Europrofile cylinder to DIN 18252	●	●
Suitability for use of an electronic EP cylinder	○	○
Lock functions: Transit/Transmission/Change-over	●/●/●	●/●/●
Controlled Latch Retainer	○	○
Forend width 24 mm	●	●
U-Forend	○	○
Square follower/lever handle spindle 9 mm	●	●
Locking rod with spring loaded latch lock	○	○
Locking rod with switching lock	–	●
Unlocking via DORMA electric strikes 447/442/117 RS	○	○
Powder-coated silver/special colour	●	●
Mock stainless steel finish	●	●
OGRO external fitting, ZS range	○	○
Tested and certified to EN 1125	●	●
CE mark for construction projects	●	●
ISO 9000	●	●

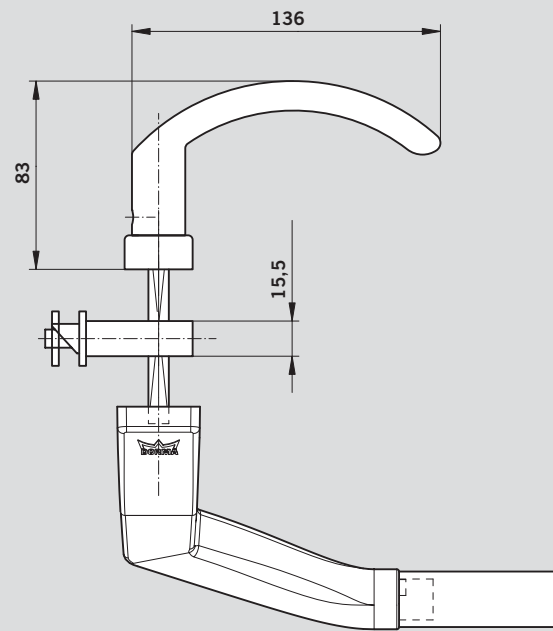
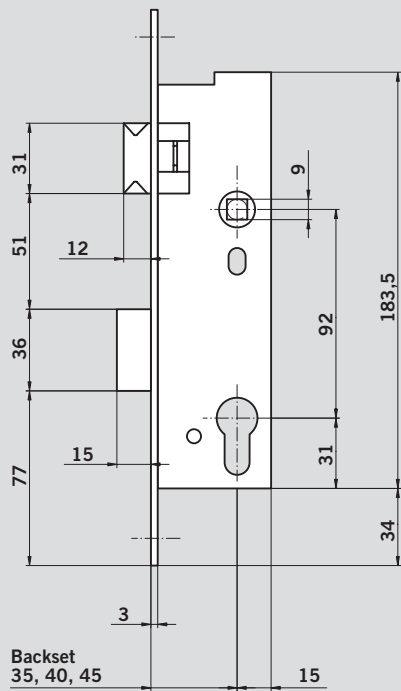
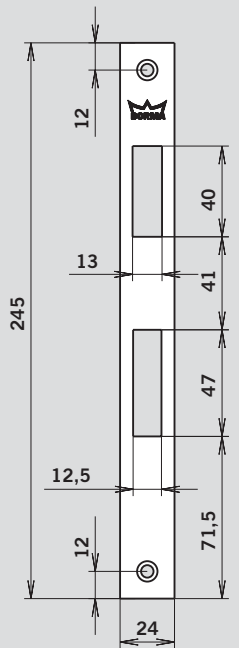
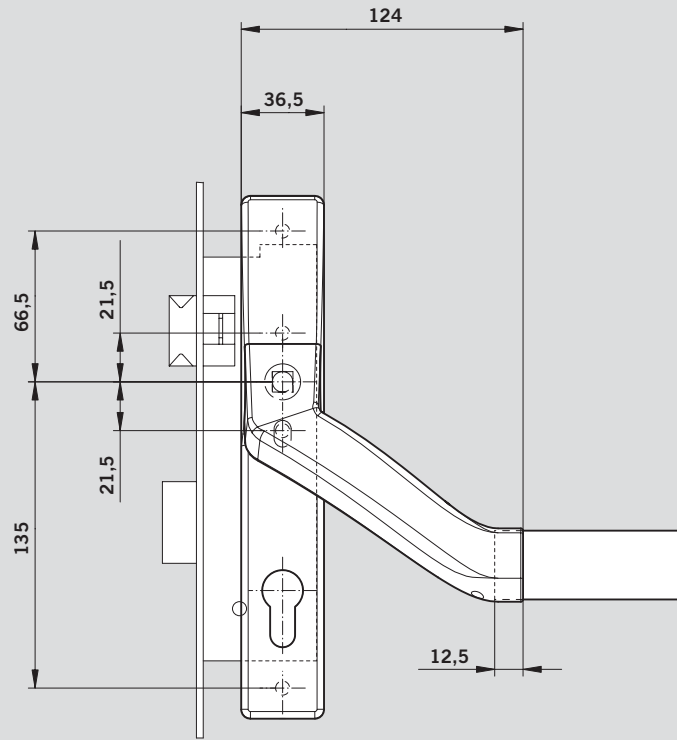
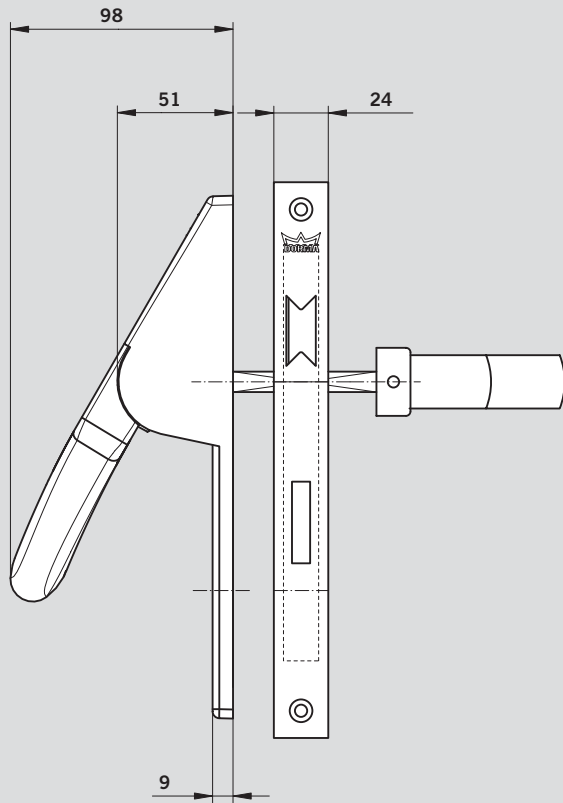
● = yes    – = no    ○ = option

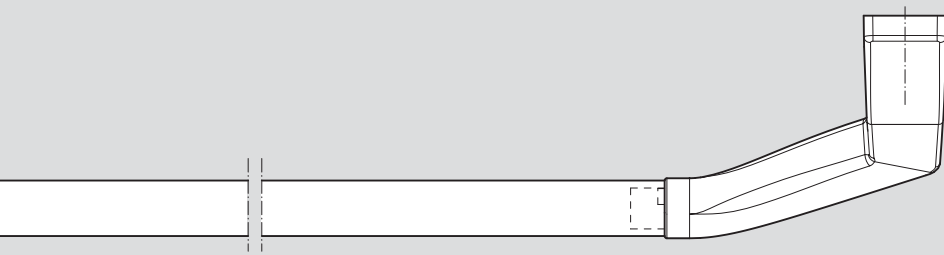
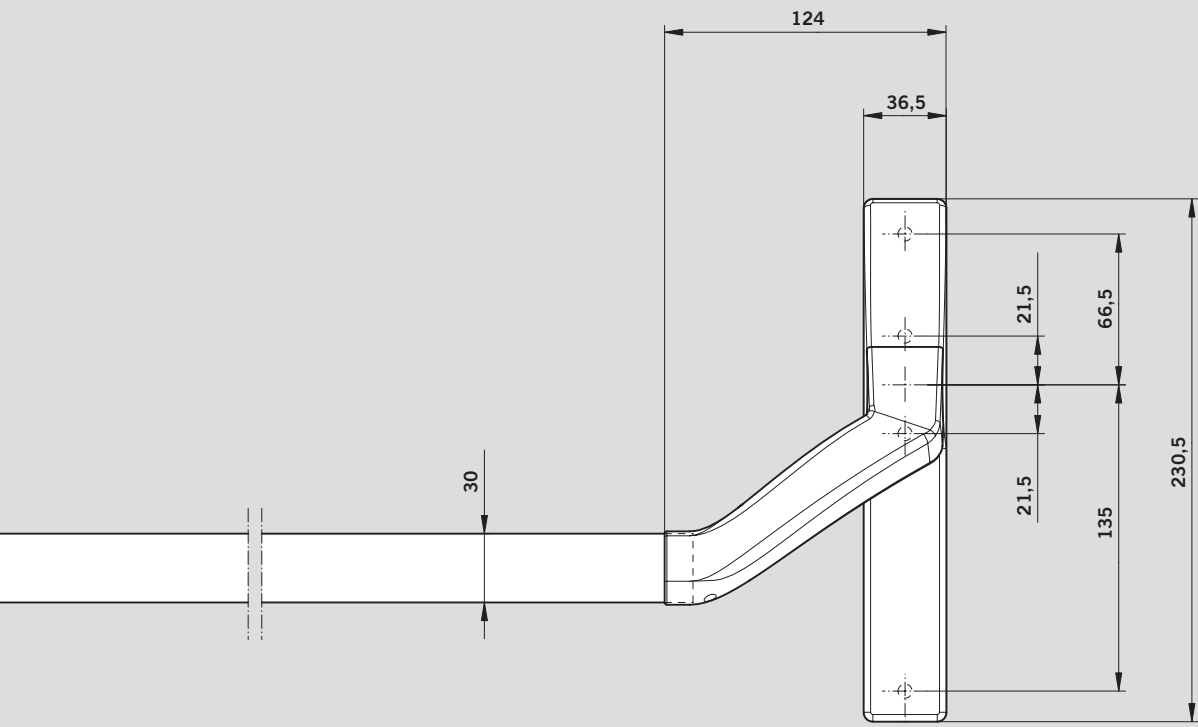
<sup>1)</sup>Data correspond to the maximum application scope of EN 1125.

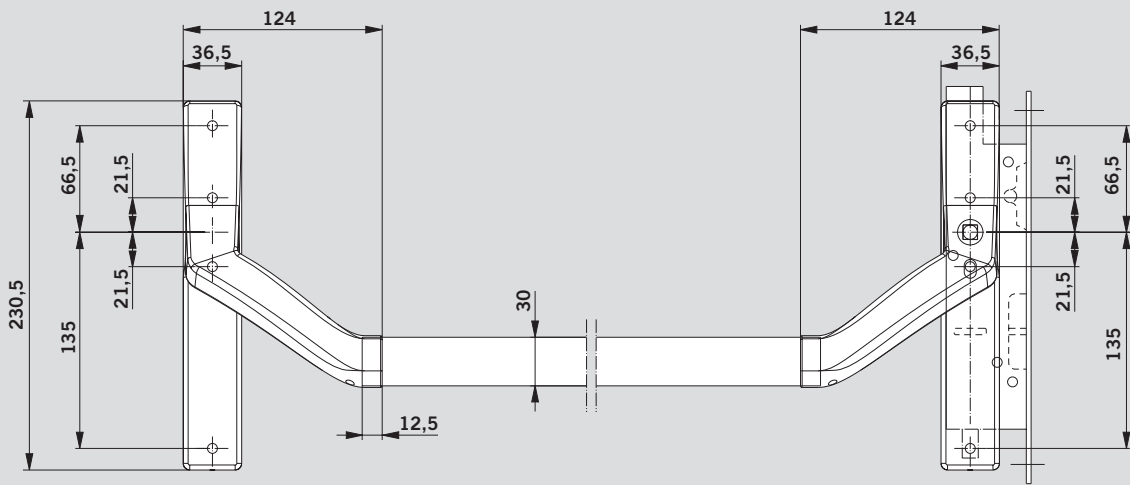


**Panic Hardware system PHA 2500**

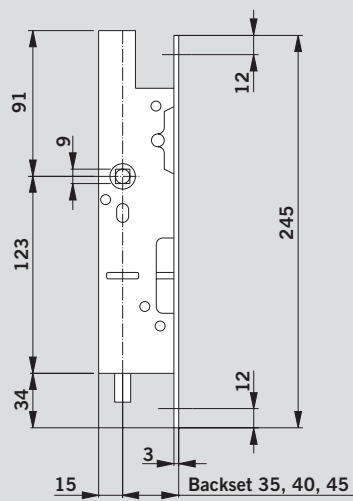
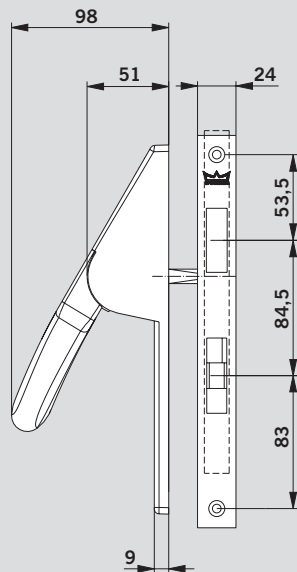




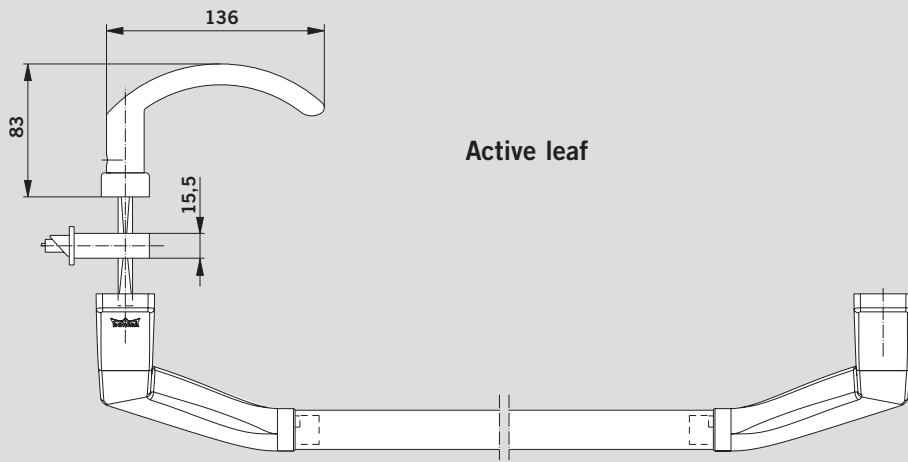
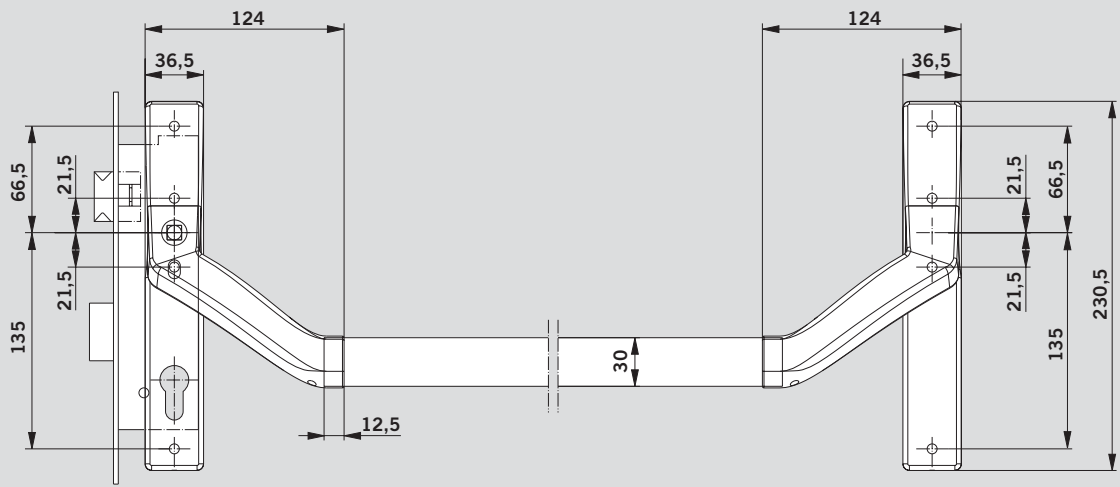




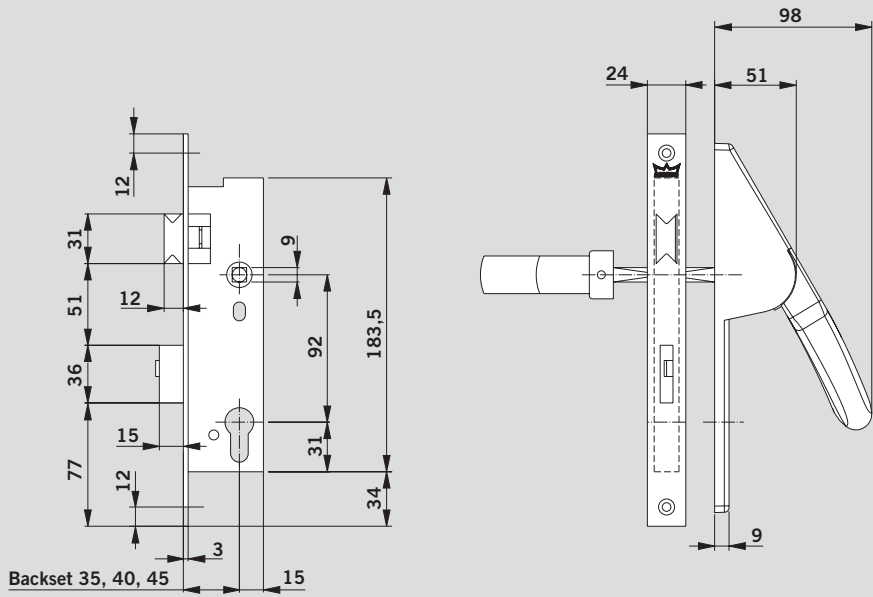
Inactive leaf





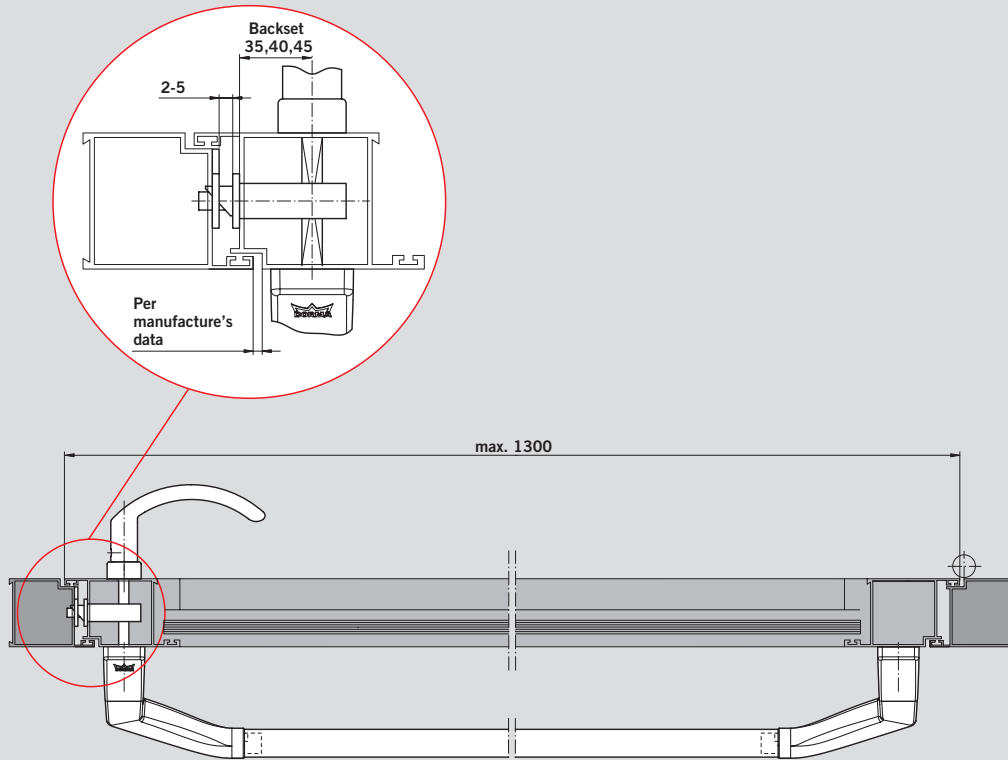


Active leaf



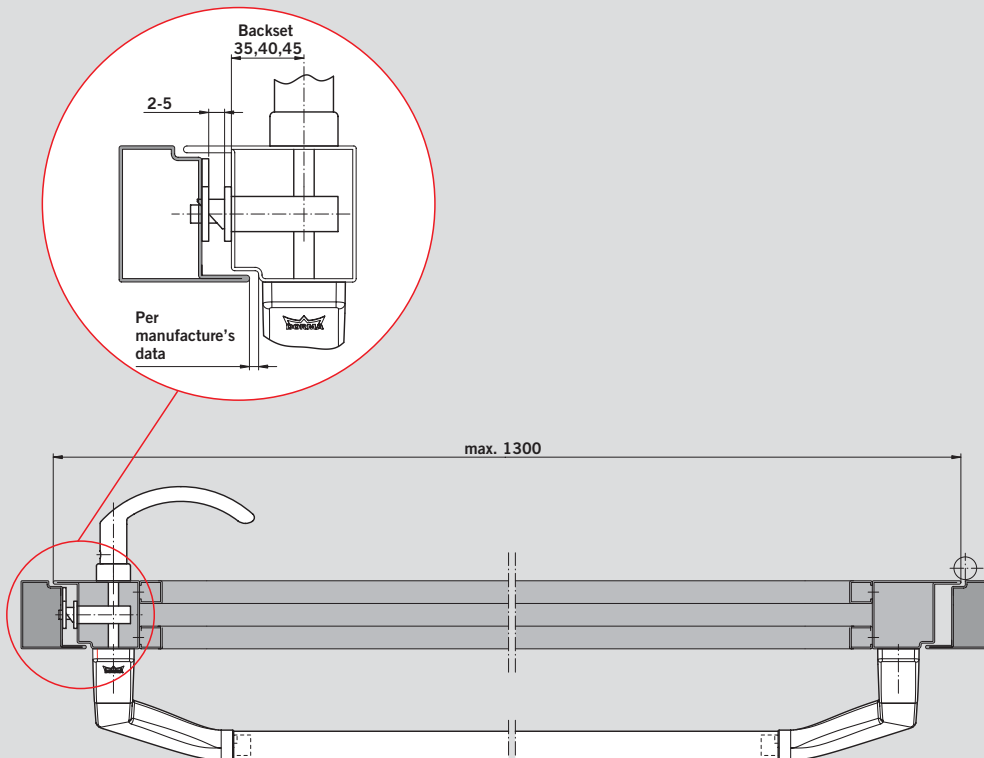
Backset 35, 40, 45

1-point locking, aluminium door



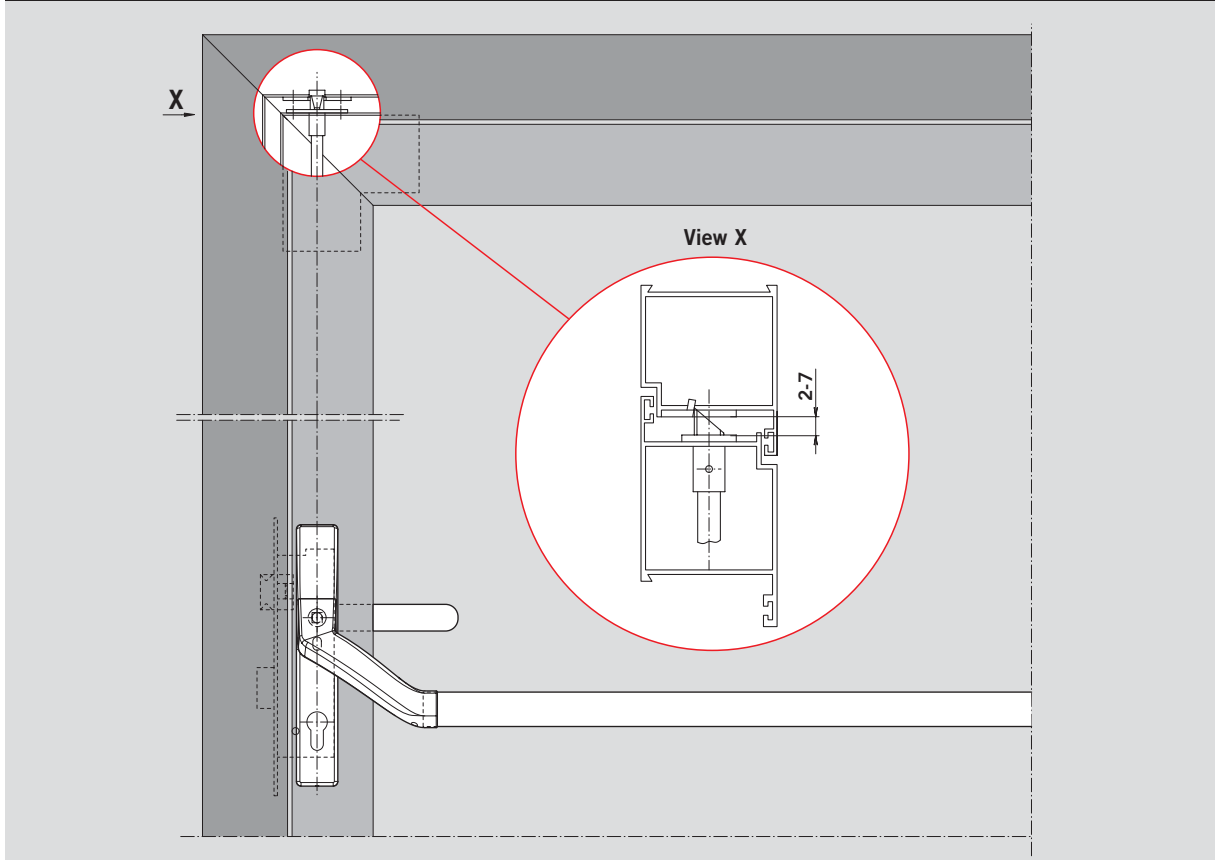
Note advisory on page 19

1-point locking, steel door

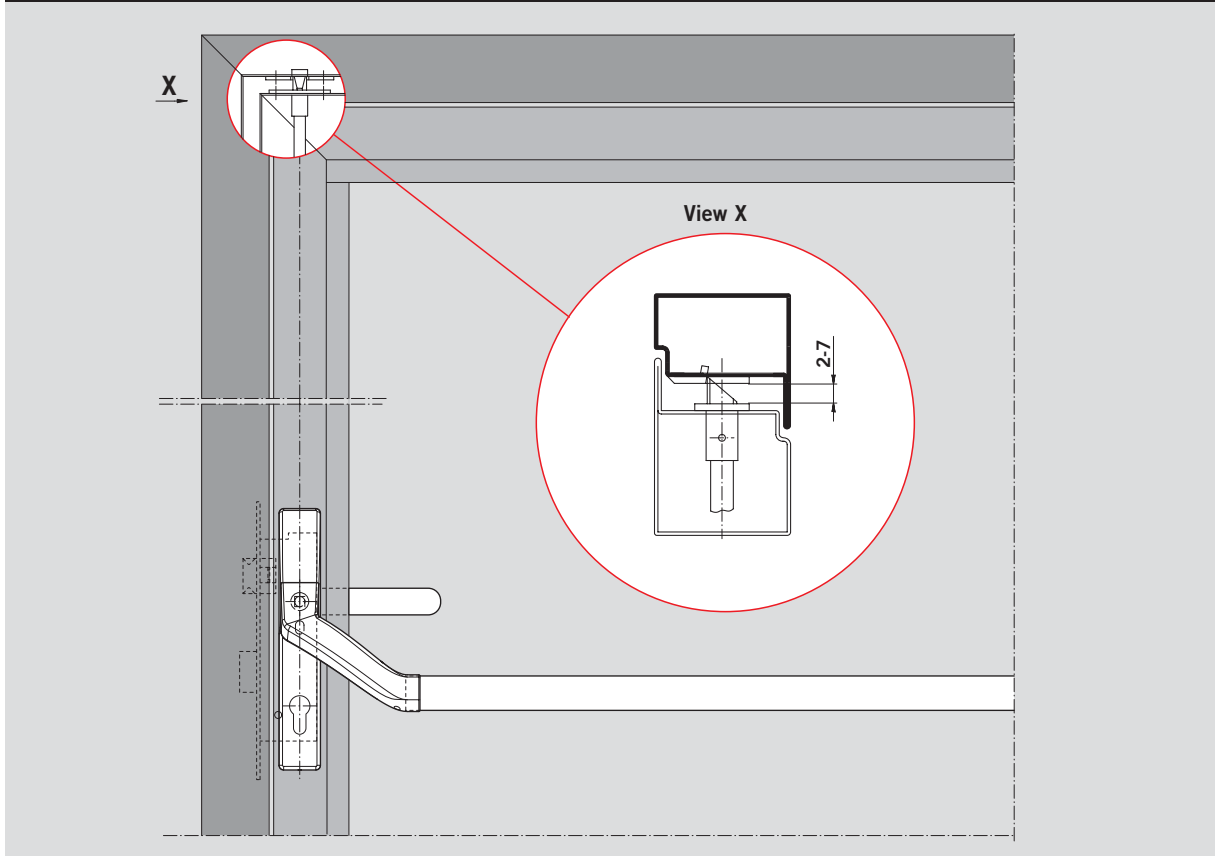


Note advisory on page 19

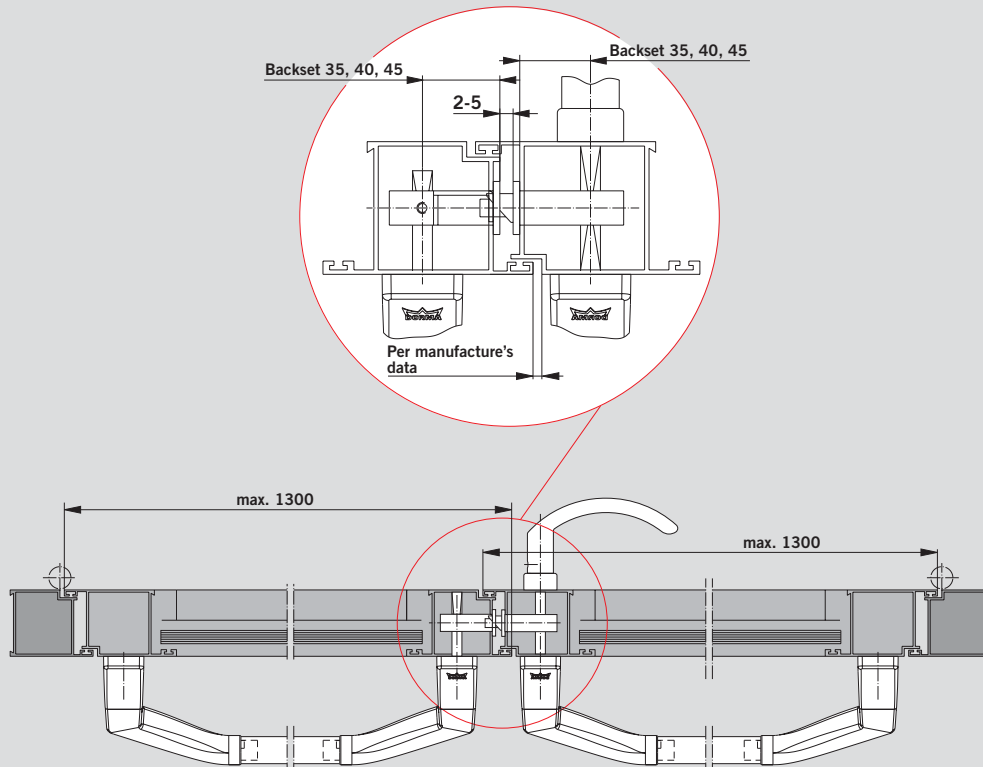
2-point locking, aluminium door



2-point locking, steel door

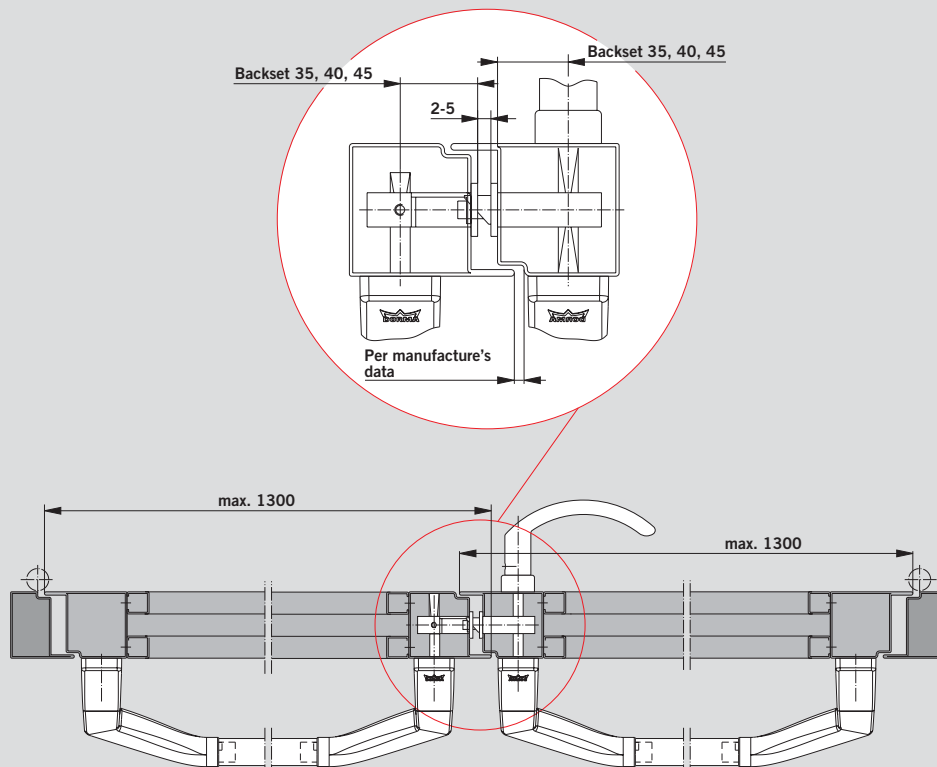


1-point locking, aluminium door



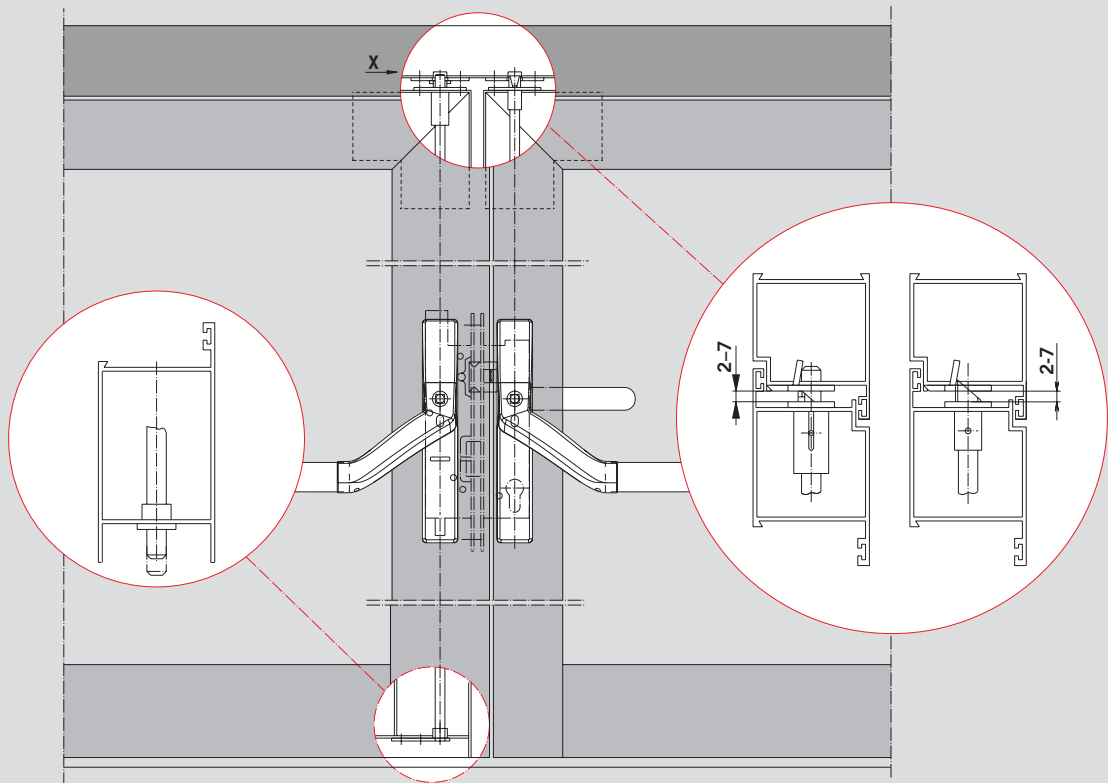
Note advisory on page 19

1-point locking, steel door



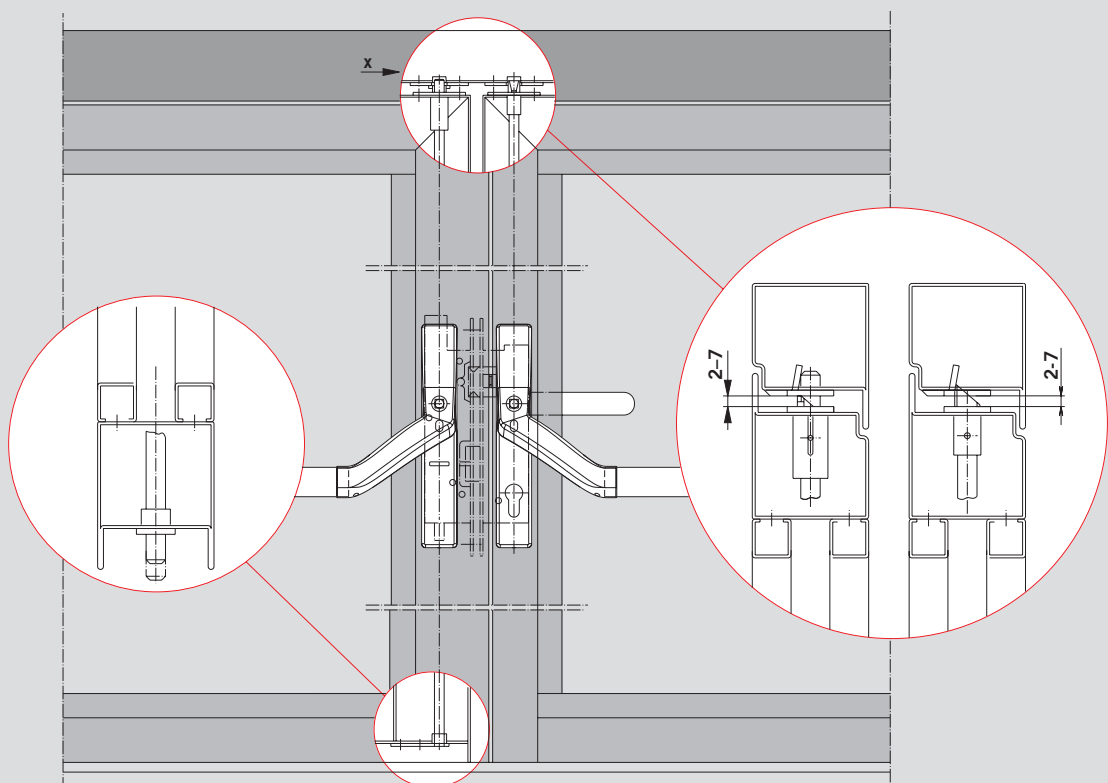
Note advisory on page 19

2-point locking, aluminium door



For panic exit devices according to EN 1125 a floor keep is necessary (see page 17)

2-point locking, steel door



For panic exit devices according to EN 1125 a floor keep is necessary (see page 17)

## Specification text

**PHA 2500, single-leaf**

Panic exit device in "New Soft" design, compliant with EN 1125, for single-leaf narrow-stile doors, door widths up to 1300 mm; projection from face per category 2  $\leq$  100 mm, nip-free design, no visible fixing screws. With narrow stile lock, backset of 35/40/45 mm and

- Mode of operation B / Change-over function
- Mode of operation D / Transit function
- Mode of operation E / Transmission function

Prepared for installation of an electronic cylinder (Europrofile cylinder). Electrical unlocking via DORMA 447, 442 or 117 RS electric strikes. Power supply by others.

All products of the PHA 2500 series carry the **CE** mark.

- Silver
- Mock stainless steel
- Special colour

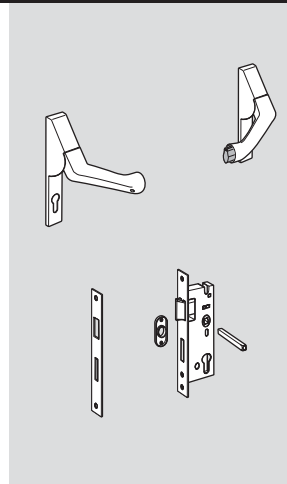
Order No. 35014 ..



..2511xx01

..2511xx04

..2511xx09 PHA 2500

**PHA 2500 TRS (locking rod), single-leaf**

Panic exit device in "New Soft" design, compliant with EN 1125, for single-leaf narrow-stile doors, door widths up to 1300 mm, door height up to 2500 mm; projection from face per category 2  $\leq$  100 mm, nip-free design, no visible fixing screws. With narrow stile lock, backset of 35/40/45 mm and

- Mode of operation B / Change-over function
- Mode of operation D / Transit function
- Mode of operation E / Transmission function

Prepared for installation of an electronic cylinder (Europrofile cylinder). Electrical unlocking via DORMA 447, 442 or 117 RS electric strikes. Power supply by others.

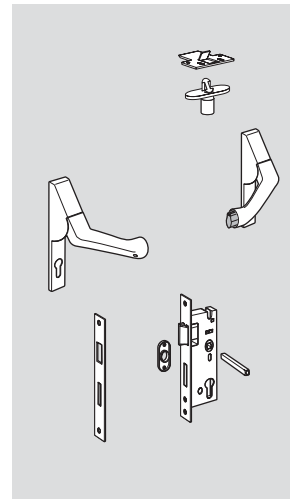
All products of the PHA 2500 series carry the **CE** mark.

- Silver
- Mock stainless steel
- Special colour

..2511xx01

..2511xx04

..2511xx09 PHA 2500

**PHA 2105 Connecting rod**

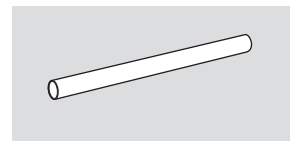
for PHA 2500, door widths up to 1300 mm

- Silver
- Mock stainless steel
- Special colour

..21050001

..21050004

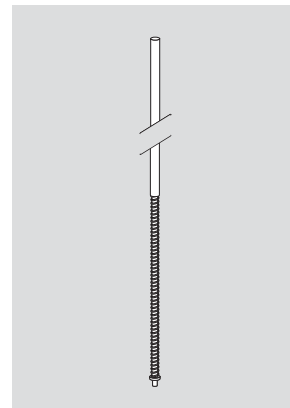
..21050009

**PHA 2140 Locking rod at the top**

for PHA 2500 TRS

Tube  $\varnothing$  10 mm, for door heights up to 2500 mm

..25150000



xx = Variant

Product	Handing	Backset	Lock function	Order-No. 35014 ..
<b>PHA 2500</b> single-leaf 1-point-locking	L	35	<b>D</b> Transit	.. 251101xx
			<b>E</b> Transmission	.. 251102xx
			<b>B</b> Change-over	.. 251103xx
		40	<b>D</b> Transit	.. 251104xx
			<b>E</b> Transmission	.. 251105xx
			<b>B</b> Change-over	.. 251106xx
		45	<b>D</b> Transit	.. 251107xx
			<b>E</b> Transmission	.. 251108xx
			<b>B</b> Change-over	.. 251109xx
	R	35	<b>D</b> Transit	.. 251110xx
			<b>E</b> Transmission	.. 251111xx
			<b>B</b> Change-over	.. 251112xx
		40	<b>D</b> Transit	.. 251113xx
			<b>E</b> Transmission	.. 251114xx
			<b>B</b> Change-over	.. 251115xx
		45	<b>D</b> Transit	.. 251116xx
			<b>E</b> Transmission	.. 251117xx
			<b>B</b> Change-over	.. 251118xx
<b>PHA 2500 TRS</b> single-leaf 2-point-locking	L	35	<b>D</b> Transit	.. 251119xx
			<b>E</b> Transmission	.. 251120xx
			<b>B</b> Change-over	.. 251121xx
		40	<b>D</b> Transit	.. 251122xx
			<b>E</b> Transmission	.. 251123xx
			<b>B</b> Change-over	.. 251124xx
		45	<b>D</b> Transit	.. 251125xx
			<b>E</b> Transmission	.. 251126xx
			<b>B</b> Change-over	.. 251127xx
	R	35	<b>D</b> Transit	.. 251128xx
			<b>E</b> Transmission	.. 251129xx
			<b>B</b> Change-over	.. 251130xx
		40	<b>D</b> Transit	.. 251131xx
			<b>E</b> Transmission	.. 251132xx
			<b>B</b> Change-over	.. 251133xx
		45	<b>D</b> Transit	.. 251134xx
			<b>E</b> Transmission	.. 251135xx
			<b>B</b> Change-over	.. 251136xx

Locks with controlled latch retainer on request.  
For description of lock functions see pages 20, 21.

xx = Variant

**Lever handle spindles: Note advisory on page 19.**

## Specification text

**PHA 2500, double-leaf**

Panic exit device in "New Soft" design, compliant with EN 1125, for double-leaf narrow-stile doors, door widths up to 2600 mm, door height up to 2500 mm; projection from face per category 2 ≤ 100 mm, nip-free design, no visible fixing screws. With narrow stile lock at the active-leaf, backset of 35/40/45 mm and

- Mode of operation B / Change-over function
- Mode of operation D / Transit function
- Mode of operation E / Transmission function

Prepared for installation of an electronic cylinder (Europrofile cylinder). Electrical unlocking via DORMA 447. Lock case at the inactive leaf, backset of 35/40/45 mm, incl. switching lock and rod guide.

All products of the PHA 2500 series carry the **CE** mark.

**PHA 2510, active-leaf**

- Silver
- Mock stainless steel
- Special colour

**PHA 2520 TRS, inactive-leaf**

- Silver
- Mock stainless steel
- Special colour

**PHA 2500 TRS (locking rod), double-leaf**

Panic exit device in "New Soft" design, compliant with EN 1125, for double-leaf narrow-stile doors, door widths up to 2600 mm, door height up to 2500 mm; projection from face per category 2 ≤ 100 mm, nip-free design, no visible fixing screws. With narrow stile lock at the active-leaf, backset of 35/40/45 mm and

- Mode of operation B / Change-over function
- Mode of operation D / Transit function
- Mode of operation E / Transmission function

Prepared for installation of an electronic cylinder (Europrofile cylinder). Electrical unlocking via DORMA 447. Lock case at the inactive leaf, backset of 35/40/45 mm, incl. switching lock and rod guide.

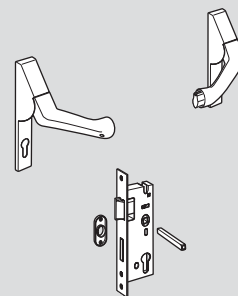
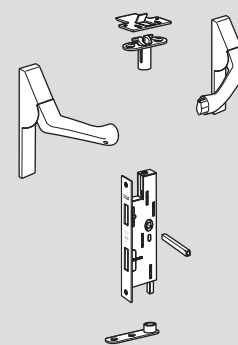
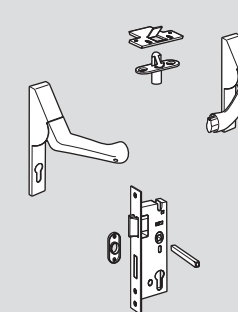
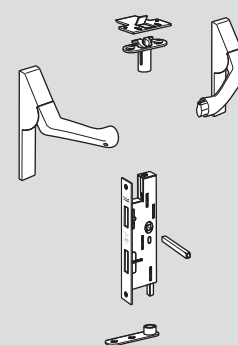
All products of the PHA 2500 series carry the **CE** mark.


**PHA 2510 TRS, active-leaf**


- Silver
- Mock stainless steel
- Special colour

**PHA 2520 TRS, inactive-leaf**


- Silver
- Mock stainless steel
- Special colour

Order No. 35014 .. **PHA 2510****PHA 2520 TRS****PHA 2510 TRS****PHA 2520 TRS**

..2512xx01  
..2512xx04  
..2512xx09  PHA 2500


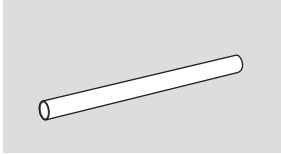
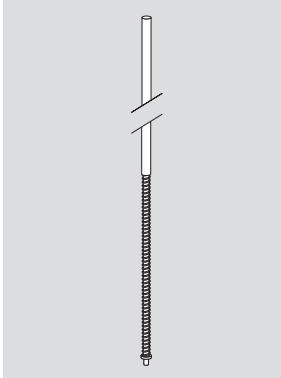
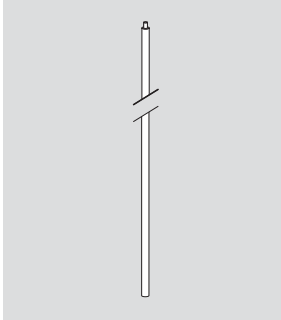
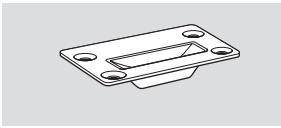
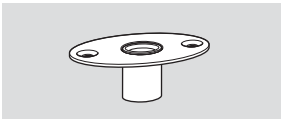
..2514xx01  
..2514xx04  
..2514xx09  PHA 2500

..2512xx01  
..2512xx04  
..2512xx09  PHA 2500

..2514xx01  
..2514xx04  
..2514xx09  PHA 2500

xx = Variante



Specification text	Order No. 35014 .. 	
<p><b>PHA 2105 Connecting rod</b> for PHA 2510 and PHA 2520, for door widths up to 1300 mm</p> <ul style="list-style-type: none"> <li><input type="checkbox"/> Silver ..21050001</li> <li><input type="checkbox"/> Mock stainless steel ..21050004</li> <li><input type="checkbox"/> Special colour ..21050009</li> </ul>		
<p><b>PHA 2140 TRS locking rod at the top</b> for PHA 2510 TRS (active-leaf) and PHA 2520 TRS (inactive-leaf) Tube Ø 10 mm, for door heights up to 2500 mm</p>	..25150000	
<p><b>PHA 2195 TRB locking rod at the bottom</b> for PHA 2520 TRS (inactive-leaf) Solid bar Ø 10 mm, lever handle heights 1050 mm</p>	..21950000	
<p><b>PHA 2120 Floor keep</b> for locking of the PHA 2195 TRB at the inactive leaf. Required for panic exit devices to EN 1125.</p>	..21200000	
<p><b>PHA 2121 Adjustable floor keep</b> for locking of the PHA 2195 TRB at the inactive leaf. Required for panic exit devices to EN 1125.</p>	..21210000	

Product	Handing	Backset	Lock function	Order-No. 35014 ..
<b>PHA 2510</b> double-leaf, active-leaf 1-point locking	L	35	D Transit	.. 251201xx
			E Transmission	.. 251202xx
			B Change-over	.. 251203xx
		40	D Transit	.. 251204xx
			E Transmission	.. 251205xx
			B Change-over	.. 251206xx
		45	D Transit	.. 251207xx
			E Transmission	.. 251208xx
			B Change-over	.. 251209xx
	R	35	D Transit	.. 251210xx
			E Transmission	.. 251211xx
			B Change-over	.. 251212xx
		40	D Transit	.. 251213xx
			E Transmission	.. 251214xx
			B Change-over	.. 251215xx
45		D Transit	.. 251216xx	
		E Transmission	.. 251217xx	
		B Change-over	.. 251218xx	
<b>PHA 2510 TRS</b> double-leaf, active-leaf 2-point locking	L	35	D Transit	.. 251219xx
			E Transmission	.. 251220xx
			B Change-over	.. 251221xx
		40	D Transit	.. 251222xx
			E Transmission	.. 251223xx
			B Change-over	.. 251224xx
		45	D Transit	.. 251225xx
			E Transmission	.. 251226xx
			B Change-over	.. 251227xx
	R	35	D Transit	.. 251228xx
			E Transmission	.. 251229xx
			B Change-over	.. 251230xx
		40	D Transit	.. 251231xx
			E Transmission	.. 251232xx
			B Change-over	.. 251233xx
45		D Transit	.. 251234xx	
		E Transmission	.. 251235xx	
		B Change-over	.. 251236xx	
<b>PHA 2520 TRS</b> double-leaf, inactive-leaf 1- and 2-point locking	L/R	35	–	.. 251419xx
		40	–	.. 251420xx
		45	–	.. 251421xx

Locks with controlled latch retainer on request.

For description of lock functions see pages 20, 21.

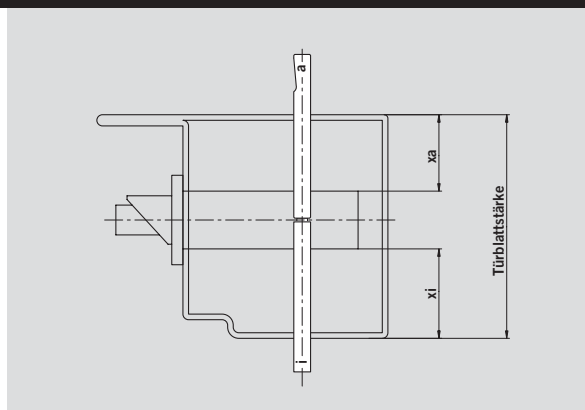
xx = Variant

**Lever handle spindles: Note advisory on page 19.**

### Lever handle spindles

The lever handle spindles included in the scope of supply of the PHA 2500 system are designed for door thicknesses of 50 – 60 mm or 60 – 70 mm. In the case of locks with functions D and B (split follower), a central lock fit is necessary for these lever handle spindles. In the case of door leaf

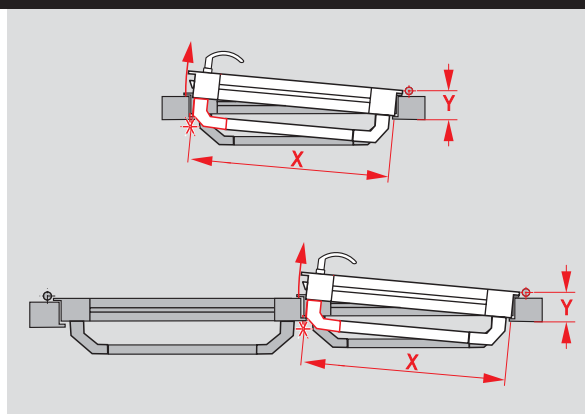
thicknesses outside the given ranges and/or an asymmetric lock fit, the corresponding lever handle spindle will need to be separately ordered. Please ensure that all the relevant drawing dimensions are indicated.



### Door situation

It may be the case that the panic fitting cannot be installed on extreme door situations according to standard measurements (door width X smaller than

1000 mm in connection with the distance of the hinge Y bigger than 90 mm). On request DORMA will gladly give you installation suggestions.



Lock functions					
	Basic setting	Inner face	Outer face	Return to basic setting following passage from inside	Return to basic setting following passage from outside
<b>F</b> Transmission function	Locked				
	Not locked				
<b>D</b> Transit function	Locked				
	Not locked				
<b>B</b> Change-over function	Locked				
	Not locked Lever handle not engaged				
 <b>Controlled Latch Retainer</b>	Not locked latch hold inside the lock case				

### Transmission function E

For doors in which unauthorised opening from the outside must be reliably prevented. Opening of the door from the inside (danger side) is always possible.

In the event of a panic situation, the latch and the engaged bolt are retracted simultaneously by actuating the exit device from the inside. The bolt remains withdrawn and can be locked again using the key.

On the outside is a fixed dead knob. The door can be unlocked and the latch retracted using the key. Locking is always performed with the key.

### Transit function D

For doors in which passage from the outside may occasionally be necessary. Opening of the door from the inside (danger side) is always possible. Following panic activation, access from the outside is also automatically enabled.

In the event of a panic situation, the latch and the engaged bolt are retracted simultaneously by actuating the exit device from the inside. After panic unlocking, the bolt remains withdrawn and can be locked again with the key.

A lever handle is fitted to the outside face. The door can be unlocked and the latch retracted using the lever handle.

### Change-over function B

For doors in which passage from the outside may occasionally be necessary. The lever handle on the outside face may be engaged and disengaged. Opening of the door from the inside (danger side) is always possible.

In the event of a panic situation, the latch and the engaged bolt are retracted simultaneously by actuating the exit device from the inside. After panic unlocking, the bolt remains withdrawn and can be locked again with the key.

A lever handle is fitted to the outside face. The key can be used to retract the lock and engage the lever handle which can then be used to retract the latch. The lever handle remains engaged until the key is used to re-lock the door.

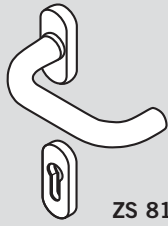
### Controlled Latch Retainer (Option)

For doors in which passage from the outside is always necessary. The latch is retracted with the key. In this position the latch retainer can be pushed up.

The latch is now held inside the lock case. The retracted latch is released by projecting the dead bolt.

**Not permitted for fire- and smoke check doors.**

Lever handle fittings for narrow stile doors



ZS 8100 FS



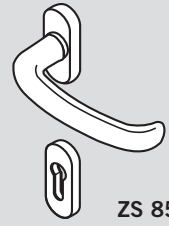
ZS 8101 FS



ZS 8140 FS



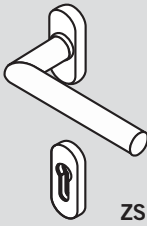
ZS 8141 FS



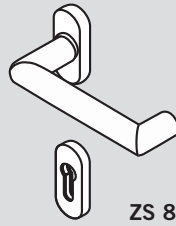
ZS 8526 FS



ZS 8830 FS



ZS 8906 FS



ZS 8907 FS



ZS 8998 FS

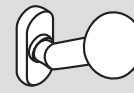
Knobs for narrow stile doors



PB 3020 FS



PB 3548 FS



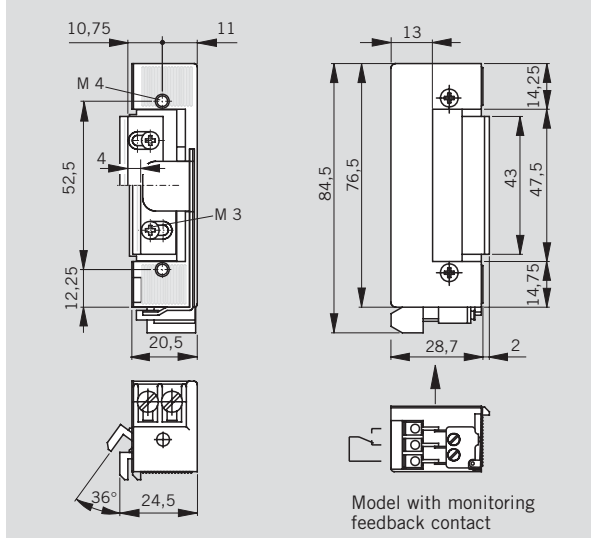
PB 3548 S FS

Lever handles with narrow roses for use on narrow stile doors according to EN 1906 and DIN 18273 (for fire and smoke check doors).

For the combination with PHA 2500 system the 9 mm lever handle spindle has to be used.



Series 447



Specification text

DORMA 447 safety electric strike for installation in any position on fire and smoke check doors, with adjustable latch, for over-rebated and flush-closing meeting stiles, non-handed.

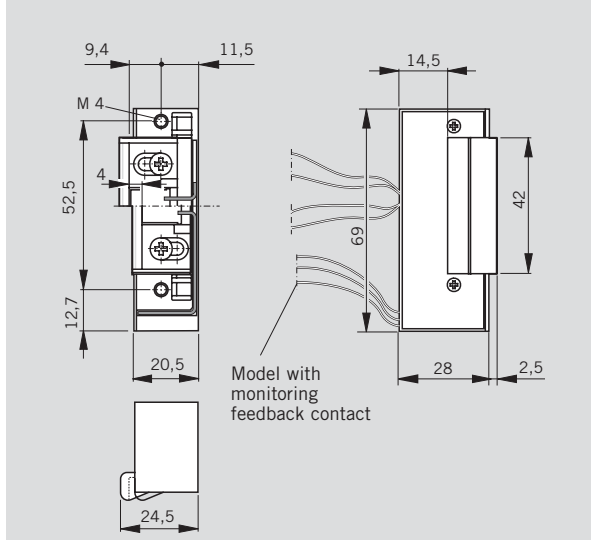
Fail-secure

- 6–12 V AC/DC
- 12 V AC
- 12 V DC
- 24 V DC
- With status monitoring feedback



For detailed information see DORMA Electric Strikes brochure

Series 442



Specification text

DORMA 442 safety electric strike for installation in any position on fire and smoke check doors, with adjustable latch, for over-rebated and flush-closing meeting stiles, non-handed.

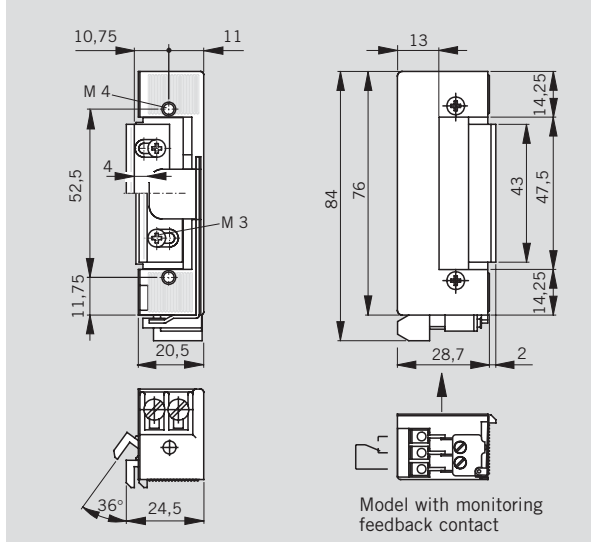
Fail-secure

- 6–24 V AC/DC
- 12–48 V AC/DC
- 24–48 V AC/DC
- With status monitoring feedback



For detailed information see DORMA Electric Strikes brochure

Series 117RS



Specification text

DORMA 117 RS safety electric strike for installation on smoke check doors, with adjustable latch, for over-rebated and flush-closing meeting stiles, non-handed.

Fail-secure

- 6–12 V AC/DC
- 12 V AC
- 12 V DC
- 24 V DC
- With status monitoring feedback



For detailed information see DORMA Electric Strikes brochure

## Door Control Division worldwide

### Central Europe

DORMA GmbH + Co. KG  
Breckerfelder Str. 42-48  
D-58256 Ennepetal  
Tel. +49 23 33/7 93-0  
Fax +49 23 33/7 93-4 95

### Australia

DORMA Door Controls Pty. Ltd.  
52 Abbott Road  
Hallam/Victoria 3803  
Australia  
Tel. +61 3/97 96 35 55  
Fax +61 3/97 96 39 55

### China

DORMA Door Controls (Suzhou)  
Co. Ltd.  
No. 9, Hong Feng Road  
Suzhou Singapore Industrial Park  
Suzhou, 215021  
P. R. of China  
Tel. +86 512/67612481  
Fax +86 512/67614582

DORMA Door Controls Pte. Ltd.  
Room 701, Technology Plaza  
651 King's Road  
North Point  
Hong Kong  
Tel. +825/250 34632  
Fax +825/288 75370

### Emerging Markets

DORMA GmbH + Co. KG  
Breckerfelder Str. 42-48  
D-58256 Ennepetal  
Tel. +49 23 33/7 93-0  
Fax +49 23 33/7 93-4 95

DORMA Door Controls (Pty.) Ltd.  
Kings Court, 4A Mineral Crescent  
ZA-2000 Crown/Gauteng  
South Africa  
Tel. +27 11/8 30 02 80  
Fax +27 11/8 30 02 91

### Far East

DORMA Door Controls Pte. Ltd.  
No. 2 Jalan Terusan,  
Jurong  
Singapore 619285  
Tel. +65 62 68/76 33  
Fax +65 62 65/79 14

### France

DORMA France S.A.S.  
Europarc  
42, rue Eugène Dupuis  
F-94046 Créteil  
Tel. +33 1/41 94 24 00  
Fax +33 1/41 94 24 01

### Gulf

DORMA Gulf Door Controls FZE  
Jebel Ali Free Zone,  
Roundabout 8,  
Unit VC 02  
Dubai, United Arab Emirates  
Tel. +971 48/83 90 14  
Fax +971 48/83 90 15

### North America

DORMA Architectural Hardware  
DORMA Drive, Drawer AC  
Reamstown, PA 17567  
Tel. +1-800-523-8483  
Fax +1-800-274-9724

### Scanbalt

DORMA Danmark A/S  
Sindalvej 6 - 8  
DK-2610 Rødovre  
Tel. +45 44/54 30 00  
Fax +45 44/54 30 01

### South America

DORMA Sistemas de Controles  
para Portas Ltda.  
Av. Piracema, 1400  
Centro Empresarial Tambore  
CEP 06400 Barueri/  
São Paulo, Brasil  
Tel. +55 11/41 91 32 44  
Fax +55 11/41 91 21 93

### South-East Europe

DORMA AUSTRIA GmbH  
Pebering Strass 22  
A-5301 Eugendorf  
Tel. +43 62 25/2 84 88  
Fax +43 62 25/2 84 91

### South Europe

DORMA Italiana S.r.l.  
Via. A. Canova 44/46  
I-20035 Lissone (MI)  
Tel. +39 039/24 40 31  
Fax +39 039/24 40 33 10

DORMA Ibérica, S.A.  
Camino San Martin de la Vega, 4  
E-28500 Arganda del Rey  
(Madrid)  
Tel. +34 91/8 75 78 50  
Fax +34 91/8 75 78 81

### UK/Ireland

DORMA UK Ltd.  
Door Controls Division  
Wilbury Way  
GB-Hitchin  
Hertfordshire SG4 0AB  
Tel. +44 14 62/47 76 00  
Fax +44 14 62/47 76 01

[www.dorma.com](http://www.dorma.com)

Door Control

Automatic

Glass  
Fittings and  
Accessories

Security/  
Time and  
Access (STA)

Movable  
Walls



4 021226 293416