



DORMA MIRAGE
Entrance Canopy
Solutions

DORMA Canopy



Contents

General Information Page 1

Technical Drawings Page 2

Span Guidelines Page 3

MIRAGE Canopy Series

Features and Benefits

The MIRAGE Entrance Canopy Series of fittings allows for maximum creative flexibility, while presenting simple packaged set solutions.

Supplied in packaged sets to suit either Single Canopy or Double / Continuous Panel configurations for longer runs, and formed from the highest quality 316 Grade SS, all fittings ensure superior quality and performance.

Designed to accommodate Laminated Safety Glass in 13.52 or 17.52mm thickness', and with optional solutions to suit 21.52mm Glass and beyond, you can be assured of a solution for even the most complex of applications.

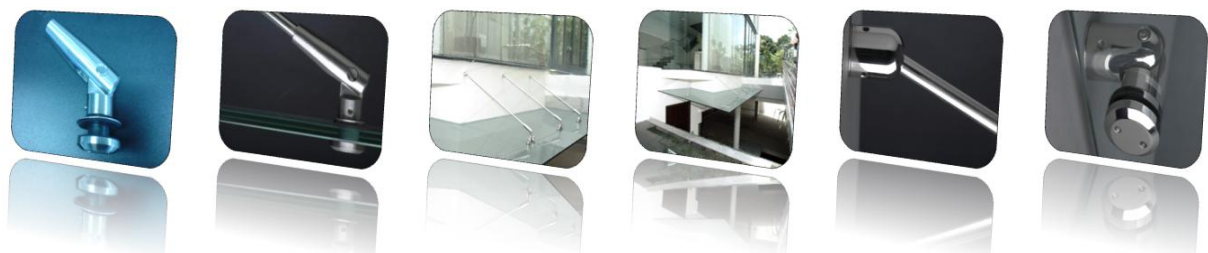
Every DORMA solution comes with ultimate peace of mind. The choice is simple, DORMA - Inspirational innovation.



Specifications:

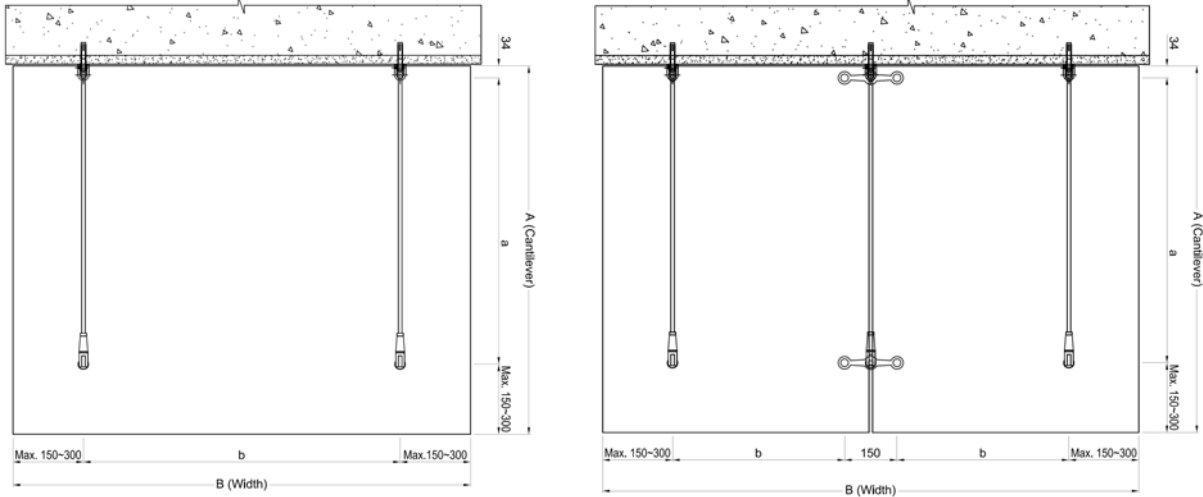
Applications & Features	Opt. / Std.
Stainless Steel Grade 316	•
Satin & Polished Stainless Steel Finish Options	•
Single Canopy Set Solutions	•
Double / Multiple Canopy Set Solutions	•
13.52 and 17.52mm Laminated Safety Glass	•
21.52mm Laminated Safety Glass	▪

- Standard
- Optional

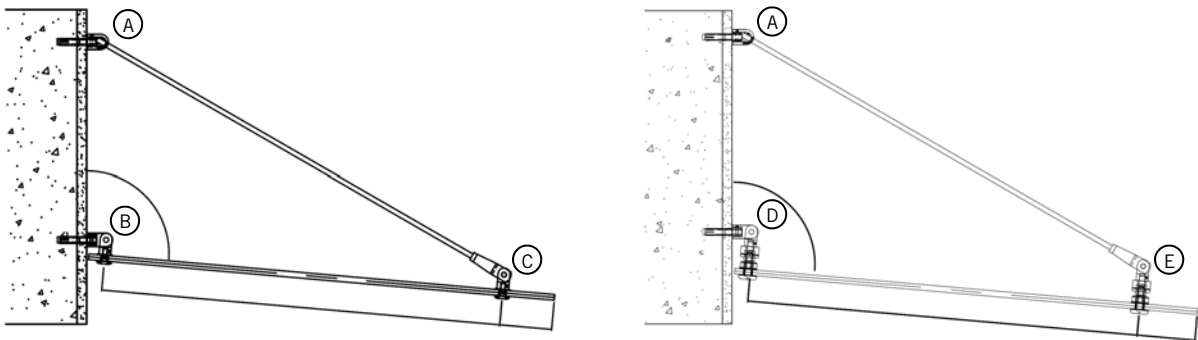


MIRAGE Canopy Series

MIRAGE Entrance Canopy Series Technical Drawings - Plan View



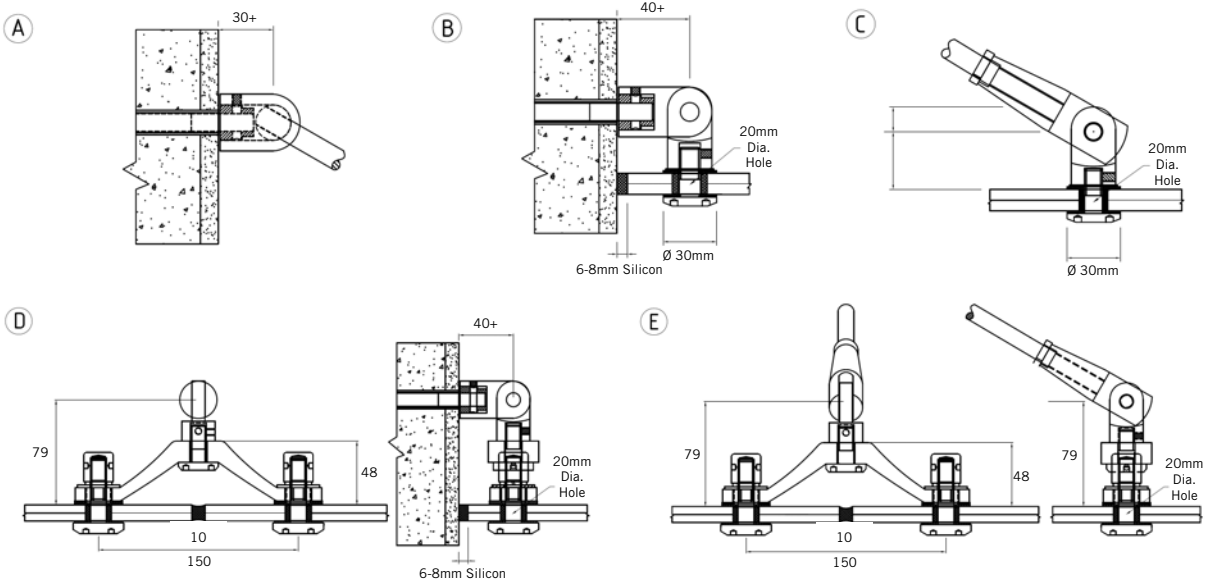
MIRAGE Entrance Canopy Series Technical Drawings - Sectional View



SINGLE & DOUBLE CANOPY END VIEW SECTION

DOUBLE CANOPY CENTRE VIEW SECTION

MIRAGE Entrance Canopy Series Technical Drawings - Sectional Detail

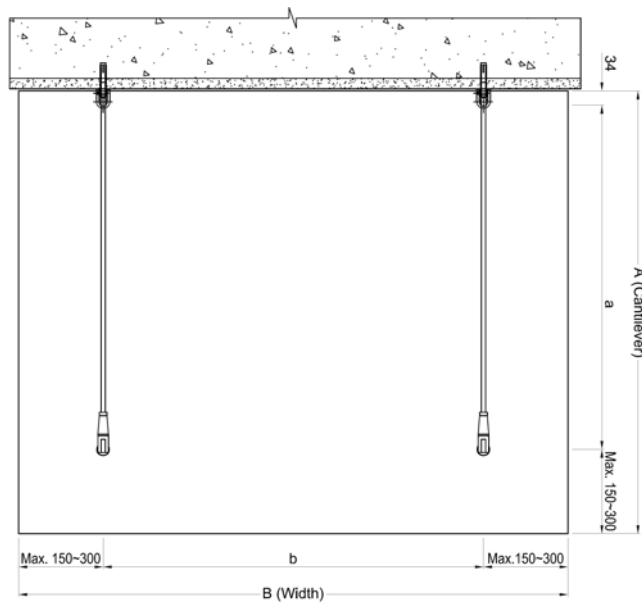


MIRAGE Canopy Series

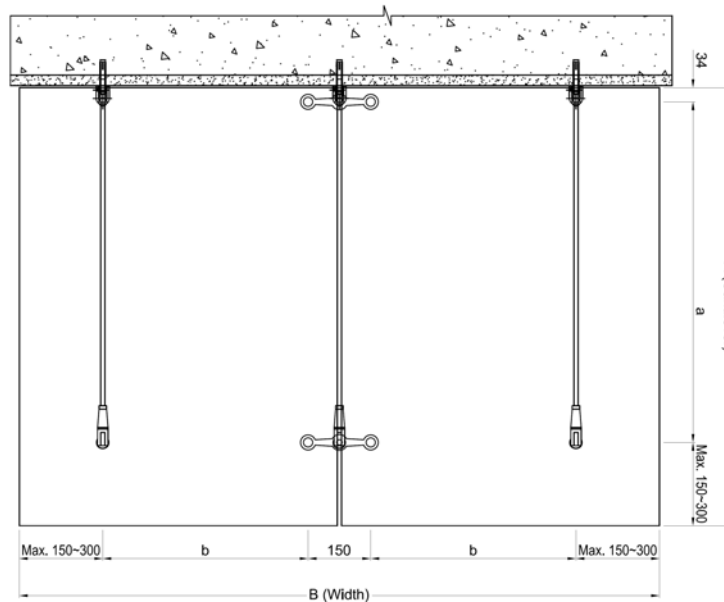
MIRAGE Entrance Canopy Series Span Guidelines

The below span guidelines are to be used as a reference only for planning purposes, and in no way remove the need for separate and specific project engineering. To ensure safe application, and compliance with the Building Code and all relevant Australian and New Zealand Standards DORMA recommends specific advice from a certified Structural Engineer.

Max A (mm)	Max a (mm)	Max B (mm)	Max b (mm)	h (mm) Glass - Rod Top	Glass Thick. (mm)	Rod Dia. (mm)	Max. Wind Press. (Kn/m ²)
1150	816	1600	1000	490	6+6	12	1.25
1150	816	1800	1200	490	6+6	12	1.00
1300	966	1600	1000	575	6+6	12	1.00
1300	966	1800	1200	575	6+6	12	0.75



Max A (mm)	Max a (mm)	Max B (mm)	Max b (mm)	h (mm) Glass - Rod Top	Glass Thick. (mm)	Rod Dia. (mm)	Max. Wind Press. (Kn/m ²)
1150	816	3150	1200	490	6+6	12	1.00
1300	966	3150	1200	575	6+6	12	0.75





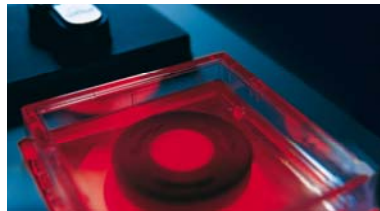
Door Control



Automatic



Glass Fittings & Accessories



**Security Time and Access (STA)
Control**



Moveable Walls

DORMA Glas Australia
CDS Patch Fittings (Aust) Pty. Ltd.
22 York Road
Ingleburn, NSW, 2565
Phone +612 9605 5822
Fax +612 9605 3675

DORMA Glas NZ
DORMA NZ Ltd.
20 Sylvia Park Road
Mount Wellington, Auckland
Phone +649 573 1999
Fax: +649 573 1991

infoglas@dorma.com.au
www.dorma.com.au

A DORMA Group Company
www.dorma.com.au